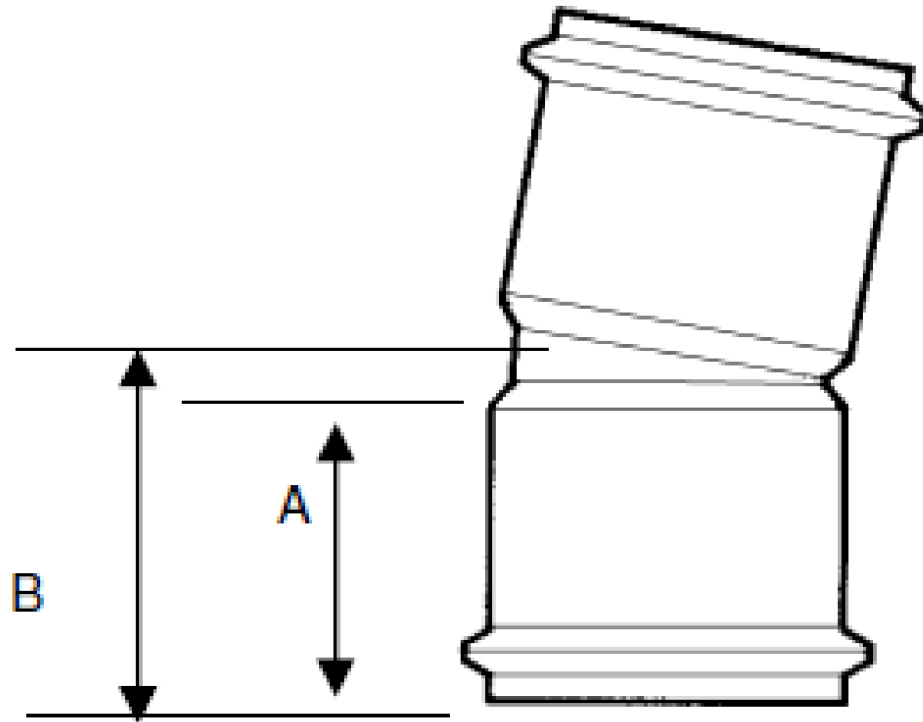


SIGNED DRAWINGS MUST ACCOMPANY PURCHASE ORDER OR DIMENSIONS OF FITTINGS WILL NOT BE GUARANTEED



Size	A	B
4"	3.5	4.5
6"	4.5	5.75
8"	5	6.75
10"	6	8.25
12"	6.5	9.25
15"	8	9.5
18"	9.25	10.25
21"	11.25	13.5
24"	12.5	15
27"	13.5	16
30"	19.5	22.5
36"	17.5	21
42"	21.25	30.5
48"	23	33.5

**DISCLAIMER - PLEASE READ**

- DIMENSIONS AND APPEARANCE ARE APPROXIMATE AND SUBJECT TO CHANGE WITHOUT NOTICE DUE TO DESIGN OR PRODUCTION MODIFICATIONS
- ANGLE TOLERANCE FOR ELBOWS IS +/- 2 DEGREES.
- ALL OTHER DIMENSIONS ARE TO TOLERANCES OF +/- 1"
- ALL FITTINGS ARE SUBJECT TO RBP "STANDARD TERMS AND CONDITIONS"

**4" 1/32 BEND (11.25) GxG  
PVC SDR35 SEWER  
4"x 4" GxG**

 **ROYAL** Building Products

56400 Mound Road, Shelby Township, MI 48316  
Phone (586)781-2700 Fax (586)781-0888

PRINTED COPIES ARE FOR REFERENCE ONLY

DATE: 6/27/2014 DRAWN BY: RSS

DATE: 6/27/2014 CHECKED BY: RBP

L1934.S

CUSTOMER