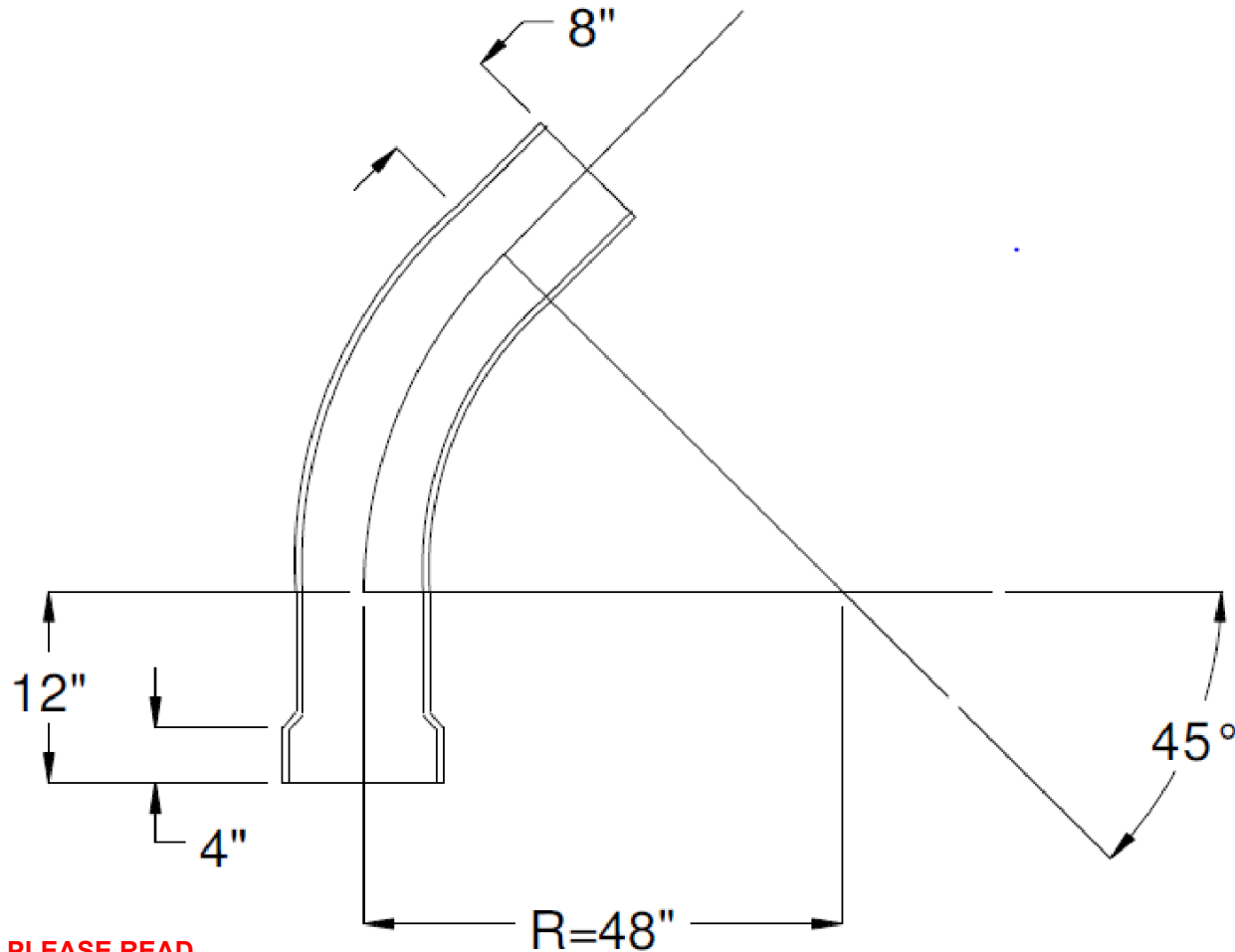


SIGNED DRAWINGS MUST ACCOMPANY PURCHASE ORDER OR DIMENSIONS OF FITTINGS WILL NOT BE GUARANTEED



DISCLAIMER - PLEASE READ

- DUE TO VARIOUS FACTORS AFFECTING PRODUCTION, ALL DIMENSIONS ARE APPROXIMATE
- DIMENSIONS AND APPEARANCE ARE SUBJECT TO CHANGE WITHOUT NOTICE DUE TO DESIGN OR PRODUCTION MONIFICATIONS
- ANGLE TOLERANCE FOR ELBOWS IS +/- 2 DEGREES.
- ALL OTHER DIMENSIONS ARE TO TOLERANCES OF +/- 1"
- ALL FITTINGS ARE SUBJECT TO P.T.I. "STANDARD TERMS AND CONDITIONS"

**8" 1/8 BEND (45) (Extra Long Sweep Radius)
SDR35 SOLVENT WELD SEWER
8"x8" HxS**

ROYAL Building Products

56400 Mound Road, Shelby Township, MI 48316
Phone (586)781-2700 Fax (586)781-0888

PRINTED COPIES ARE FOR REFERENCE ONLY

DATE: 1/15/2014

DRAWN BY: BCS

DATE: 1/15/2014

CHECKED BY: RBP

P4908.S

CUSTOMER