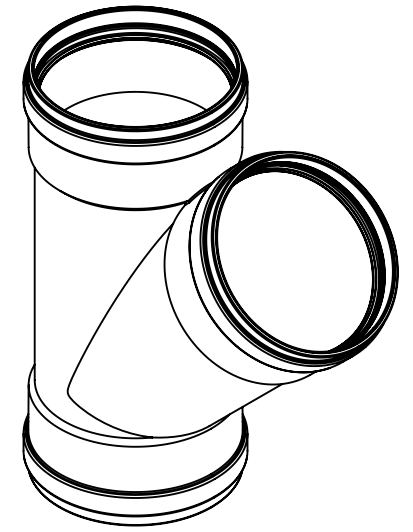
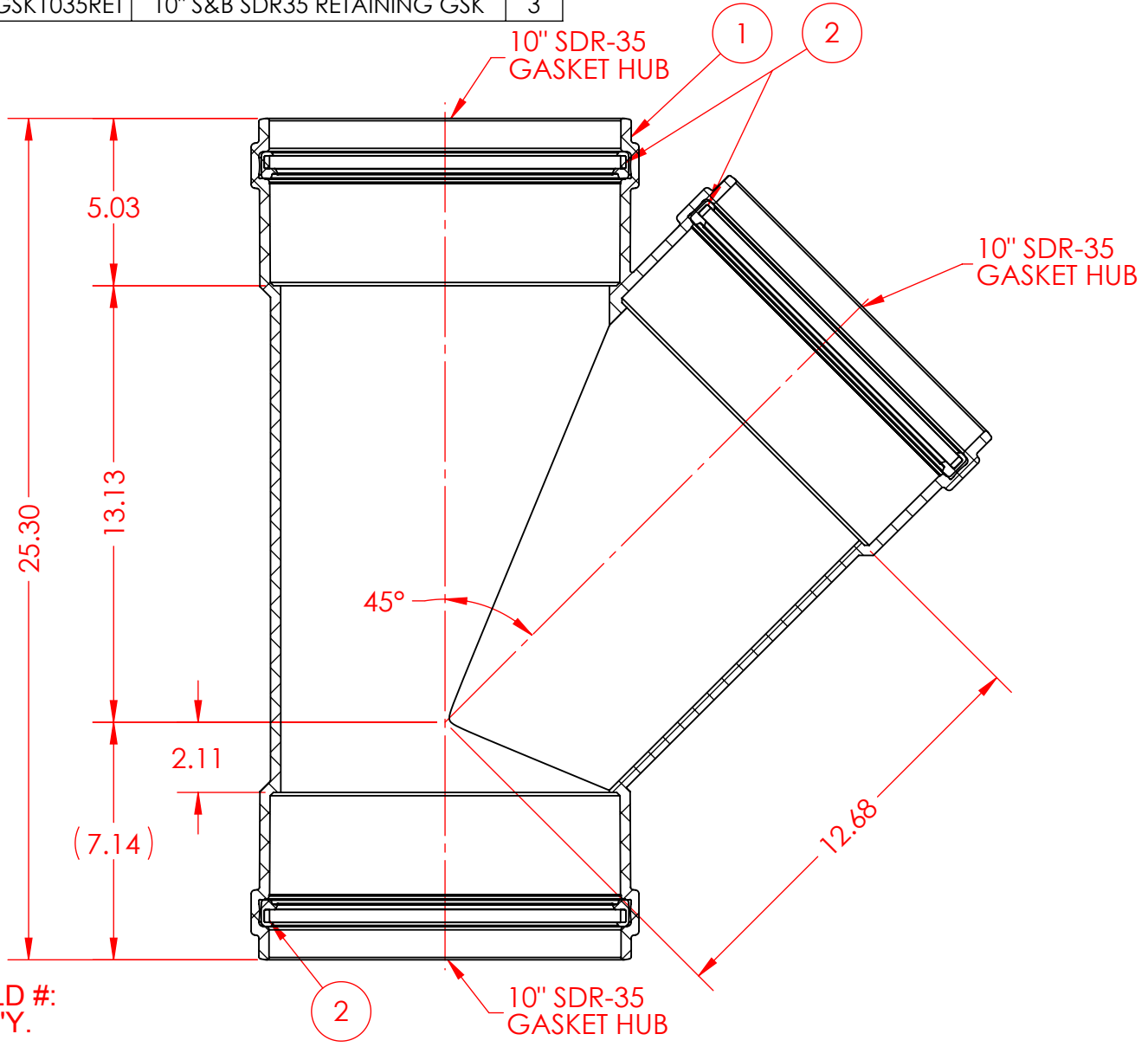


ITEM NO.	PART NUMBER	DESCRIPTION	Def ault /QT
1	G3010B.D01	10" SDR-35 GASKET 45 WYE BODY	1
2	GSK1035RET	10" S&B SDR35 RETAINING GSK	3



MOLD #:
ASS'Y.

**10" 45 DEGREE WYE
SDR35 GASKETED SEWER
10"x10"x10" GxGxG**

ROYAL Building Products

56400 Mound Road, Shelby Township, MI 48316
Phone (586)781-2700 Fax (586)781-0888

PRINTED COPIES ARE FOR REFERENCE ONLY

DATE: 5/17/2012 DRAWN BY: JRB

DATE: 5/18/2012 CHECKED BY: PTI

G3010.D01

SHEET SCALE 1:5