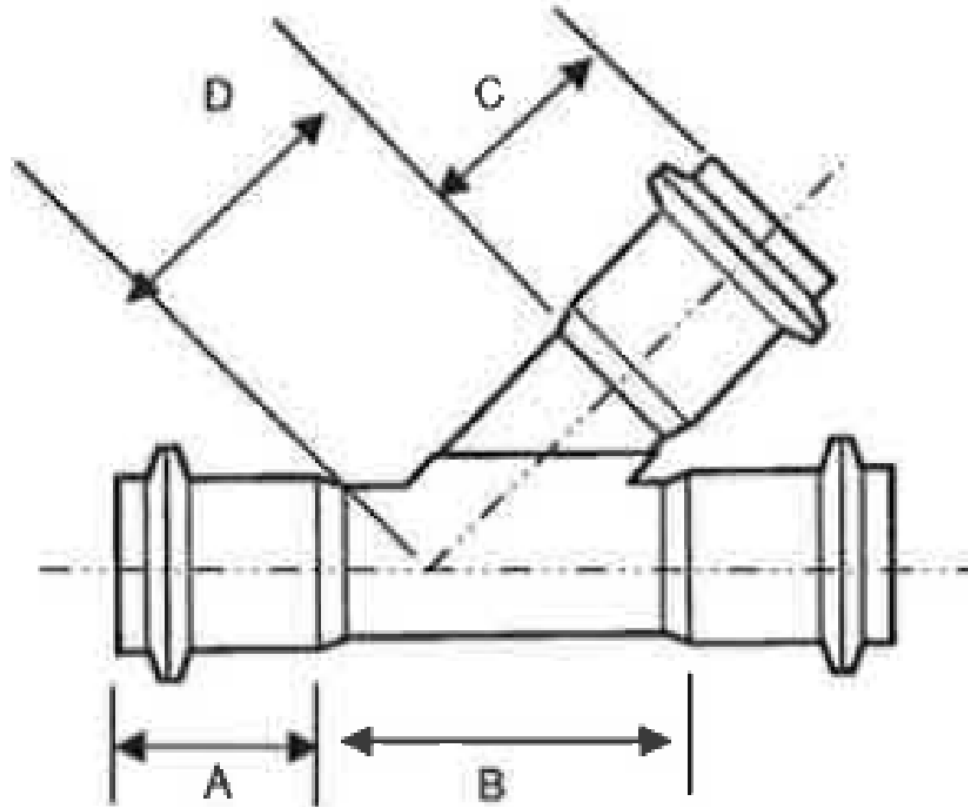


SIGNED DRAWINGS MUST ACCOMPANY PURCHASE ORDER OR DIMENSIONS OF FITTINGS WILL NOT BE GUARANTEED

SIZE	16X6
A	13.5
B	18.75
C	5
D	18



**DISCLAIMER - PLEASE READ**

- DUE TO VARIOUS FACTORS AFFECTING PRODUCTION, ALL DIMENSIONS ARE APPROXIMATE
- DIMENSIONS AND APPEARANCE ARE SUBJECT TO CHANGE WITHOUT NOTICE DUE TO DESIGN OR PRODUCTION MONIFICATIONS
- ANGLE TOLERANCE FOR ELBOWS IS +/- 2 DEGREES.
- ALL OTHER DIMENSIONS ARE TO TOLERANCES OF +/- 1"
- ALL FITTINGS ARE SUBJECT TO P.T.I. "STANDARD TERMS AND CONDITIONS"

**16" 45 DEGREE WYE WITH SCHEDULE 40 BRANCH  
CIOD GASKETED NON-PRESSURE  
16"x16"x6" GxGxG**

**ROYAL** Building Products

56400 Mound Road, Shelby Township, MI 48316  
Phone (586)781-2700 Fax (586)781-0888

PRINTED COPIES ARE FOR REFERENCE ONLY

DATE: 4/8/2014 DRAWN BY: BCS

DATE: 4/8/2014 CHECKED BY: RBP

N25-3116-6.S

CUSTOMER