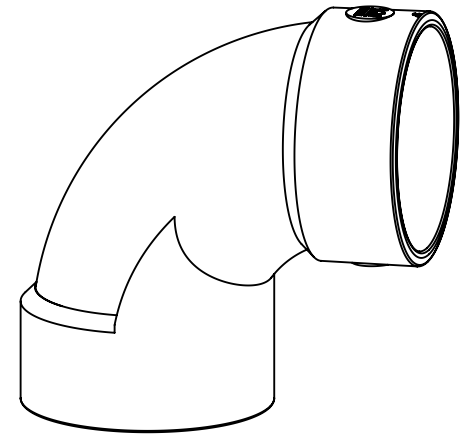


2X 3" TRADE SIZE
SW DWV HUB



REF. ASTM D2665
CSA B181.2
ULC - 102.2
ULC - S636

Part Number	Product Line	Line Description	Color
D253	DWV-US	DWV U.S.A.	White
DL253	DL	Low Rise	Lt. Gray
DH253	DH	High Rise	Dk. Gray
25GVFL9003HH	GVS65	Gas Vent System 65C	White
25GVFL9003HH	GVS90	Gas Vent System 90C	Lt. Gray

NAPCO PIPE & FITTINGS

56400 Mound Road
Shelby Township, MI 48316
U.S.A.
Phone (800) 232-5690 | Fax (586) 781-0888
CSshelby@napcopipe.com | www.napcopipe.com

**3" 1/4 BEND (90°) LONG SWEEP
PVC SW DWV**

3"x 3" HxH

REFERENCE ONLY

FILE NAME:

D253.D02