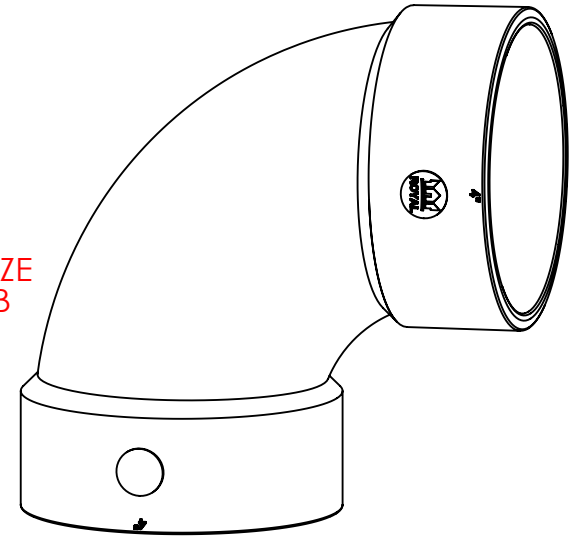


REF. ASTM D2665
 CSA B181.2
 ULC - 102.2
 ULC - S636



Part Number	Product Line	Line Description	Color
D256	DWV-US	DWV U.S.A.	White
DL256	DL	Low Rise	Lt. Gray
DH256	DH	High Rise	Dk. Gray
H25GVL9004HH	GVS65	Gas Vent System 65C	White
H25GVFL9004HH	GVS90	Gas Vent System 90C	Lt. Gray

NAPCO PIPE & FITTINGS

56400 Mound Road
 Shelby Township, MI 48316
 U.S.A.
 Phone (800) 232-5690 | Fax (586) 781-0888
 CSShelby@napcopipe.com | www.napcopipe.com

**4" 1/4 BEND (90°) LONG SWEEP
 PVC SW DWV**

4"x 4" HxH

REFERENCE ONLY

FILE NAME:

D256.D02