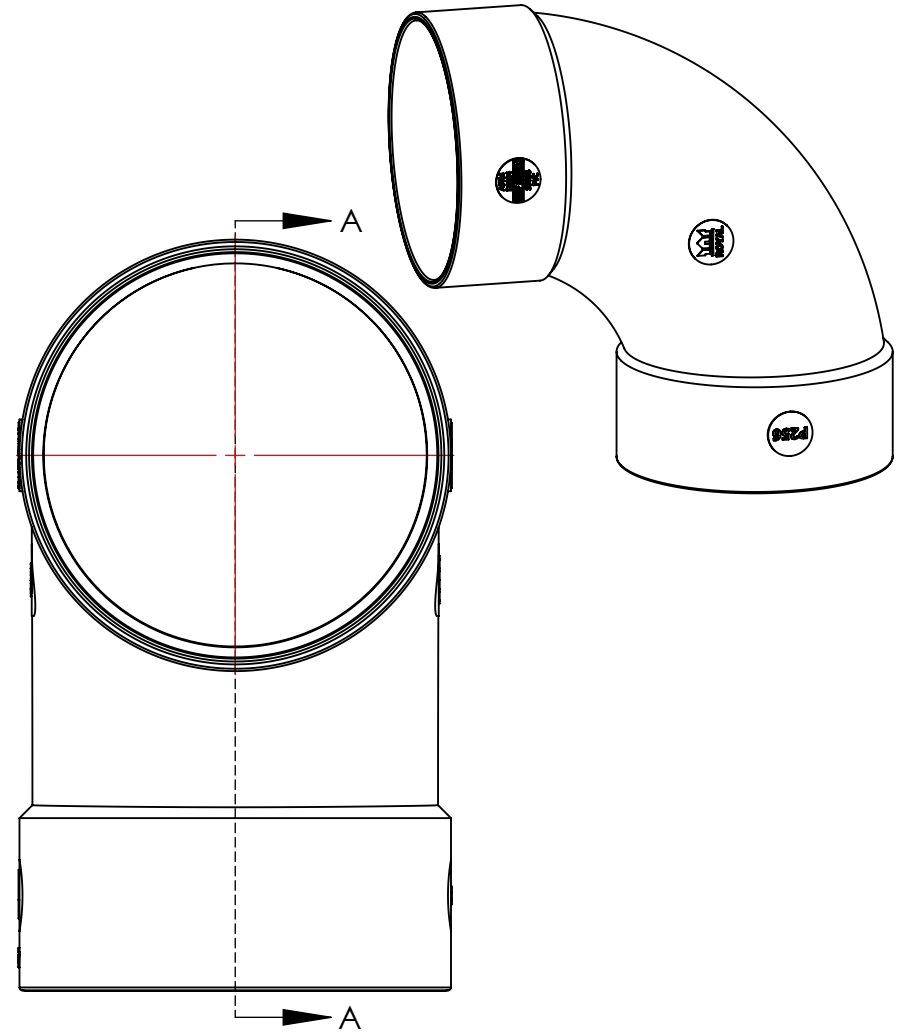


SECTION A-A



REF:  
 CSA B182.1  
 ASTM D3034

**NAPCO** PIPE & FITTINGS

56400 Mound Road  
 Shelby Township, MI 48316  
 U.S.A.  
 Phone (800) 232-5690 | Fax (586) 781-0888  
 CSShelby@napcopipe.com | www.napcopipe.com

REFERENCE ONLY

FILE NAME:

P256.D04

**4" 1/4 BEND (90°) LONG SWEEP  
 PVC SDR35 SW SEWER**

**4"x 4" HxH**