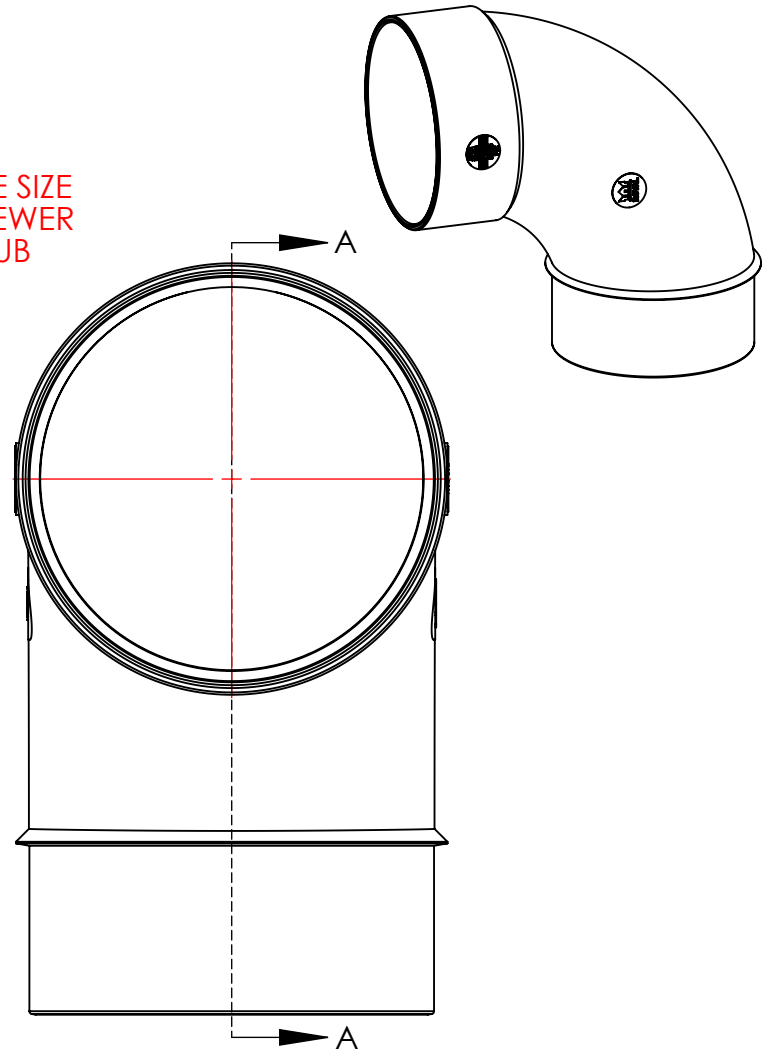


SECTION A-A

4" TRADE SIZE
SDR35 SEWER
SW HUB

4" TRADE SIZE
SDR35 SEWER
SW SPIGOT



CSA B182.2
ASTM D3034

NAPCO PIPE & FITTINGS

56400 Mound Road
Shelby Township, MI 48316
U.S.A.

Phone (800) 232-5690 | Fax (586) 781-0888
CSShelby@napcopipe.com | www.napcopipe.com

REFERENCE ONLY

FILE NAME:

P274.D03

MASTER

CUSTOMER

**4" 1/4 BEND (90°) LONG SWEEP
PVC SDR35 SW SEWER**

4"x 4" SxH