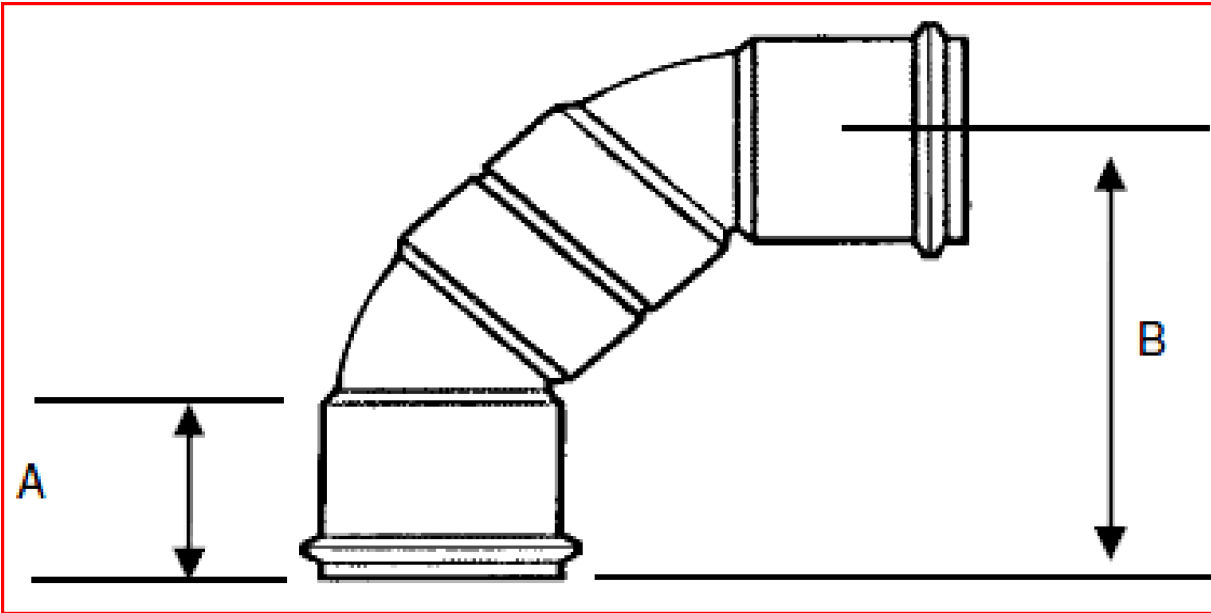


SIGNED DRAWINGS MUST ACCOMPANY PURCHASE ORDER OR
DIMENSIONS OF FITTINGS WILL NOT BE GUARANTEED



Size	A	B
10"	6	17.5
12"	6.5	19
15"	8	23
18"	9.25	27.75
21"	11.25	33.5
24"	12.5	40.75

DISCLAIMER - PLEASE READ

- DUE TO VARIOUS FACTORS AFFECTING PRODUCTION, ALL DIMENSIONS ARE APPROXIMATE
- DIMENSIONS AND APPEARANCE ARE SUBJECT TO CHANGE WITHOUT NOTICE DUE TO DESIGN OR PRODUCTION MONIFICATIONS
- ANGLE TOLERANCE FOR ELBOWS IS +/- 2 DEGREES.
- ALL OTHER DIMENSIONS ARE TO TOLERANCES OF +/- 1"
- ALL FITTINGS ARE SUBJECT TO P.T.I. "STANDARD TERMS AND CONDITIONS"
- A COPY OF THIS DRAWING MUST ACCOMPANY ALL PURCHASE ORDERS FOR THIS FITTING.

PLASTIC TRENDS .COM
ROYAL Building Products

56400 Mound Road, Shelby Township, MI 48316
Phone (586)781-2700 Fax (586)781-0888

SDR26 HEAVY WALL SEWER 90-DEGREE ELBOW

12" GASKET x 12" GASKET

PRINTED COPIES ARE FOR REFERENCE ONLY

DATE: 03-08-2012 DRAWN BY: RSS

DATE: CHECKED BY: PTI

H2512.S

CUSTOMER