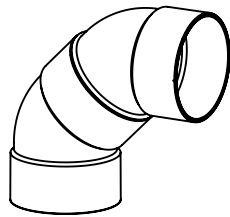
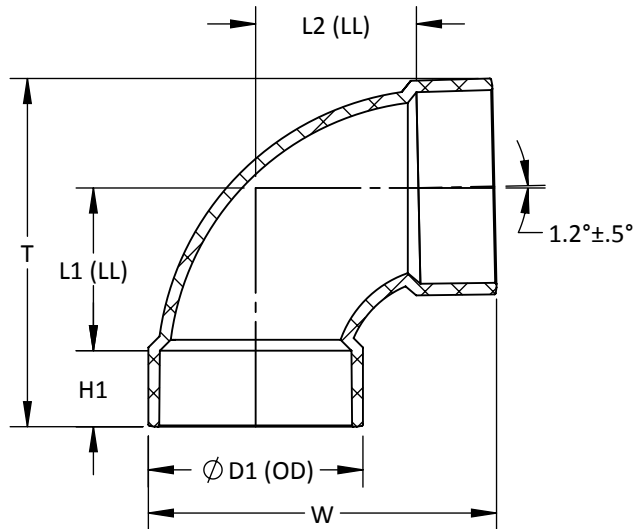


MOLDED



ASSEMBLED FROM
MOLDED COMPONENTS



ASTM D2665, F1866, F2135, CSA B181.2 WHERE APPLICABLE

**1/4 BEND (90) HxH LONG SWEEP
PVC SOLVENT WELD DWV**

PART NO.	SIZE IN INCHES	L1	L2	H1	T	W	D1
* D256	4	3 7/8	3 7/8	1 25/32	8 5/32	8 5/32	5 1/32
* D257	6	5 1/32	5 1/32	3 1/16	11 3/4	11 3/4	7 7/32
* D258	8	6 1/32	6 1/32	4 1/16	14 3/4	14 3/4	9 11/32
† D2510	10	11 7/16	11 7/16	5 1/16	22 5/16	22 5/16	11 17/32
† D2512	12	12 25/32	12 25/32	6 1/16	25 5/8	25 5/8	13 19/32

-- DIMENSIONS AND APPEARANCE ARE APPROXIMATE AND SUBJECT TO CHANGE
WITHOUT NOTICE DUE TO DESIGN OR PRODUCTION MODIFICATIONS
-- MOLDED FITTING TOLERANCE = ±1/8" OVERALL LENGTH
-- FABRICATED FITTING TOLERANCE = ±1" LINEAR, ± 2° ANGULAR

* MOLDED FITTING
† ASSEMBLED FROM MOLDED COMPONENTS
ALL OTHER FITTINGS ARE FABRICATED