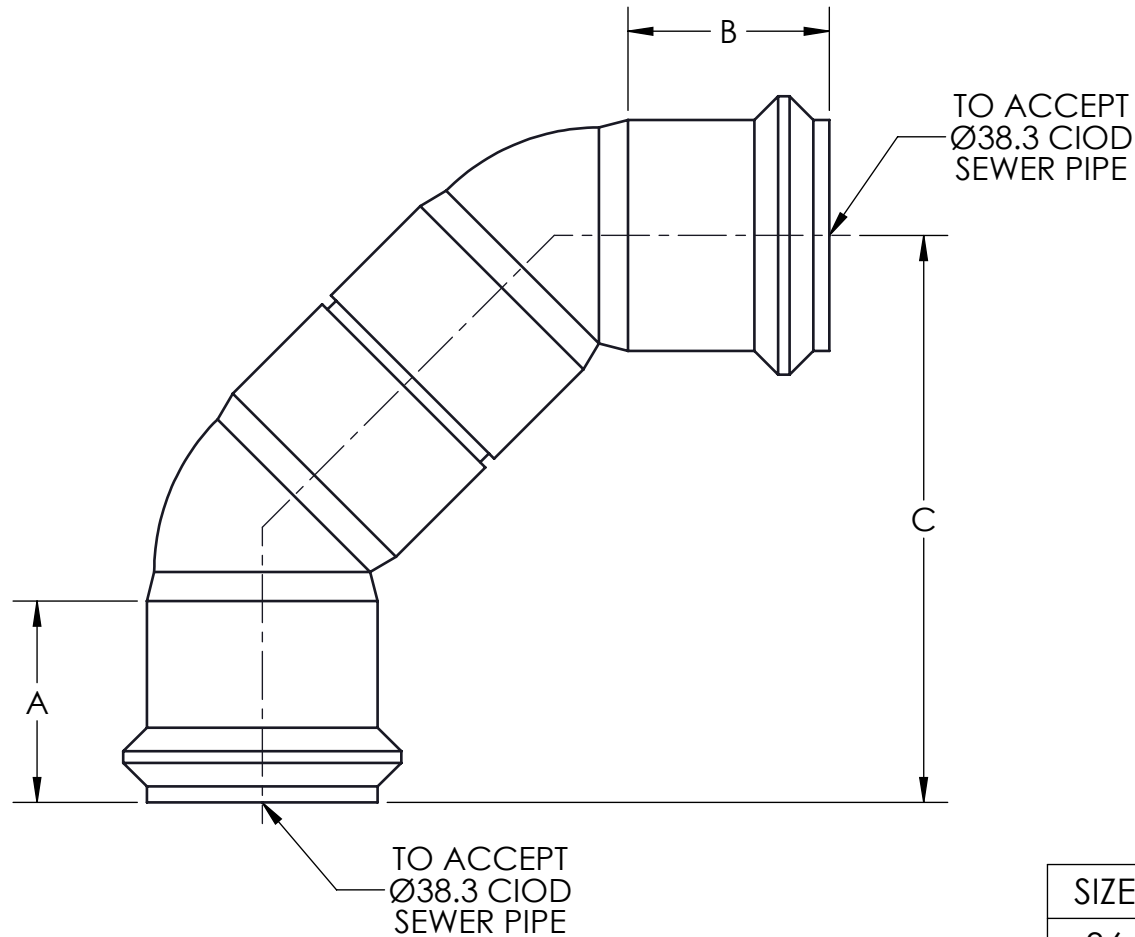


SIGNED DRAWINGS MUST ACCOMPANY PURCHASE ORDER OR DIMENSIONS OF FITTINGS WILL NOT BE GUARANTEED



SIZE	A	B	C
36	20.5	20.5	60

DISCLAIMER - PLEASE READ

- DIMENSIONS AND APPEARANCE ARE APPROXIMATE AND SUBJECT TO CHANGE WITHOUT NOTICE DUE TO DESIGN OR PRODUCTION MODIFICATIONS
- ANGLE TOLERANCE FOR ELBOWS IS +/- 2 DEGREES.
- ALL OTHER DIMENSIONS ARE TO TOLERANCES OF +/- 1"
- ALL FITTINGS ARE SUBJECT TO RBP "STANDARD TERMS AND CONDITIONS"

ROYAL Building Products

royalbuildingproducts.com

56400 Mound Road, Shelby Township, MI 48316
Phone (800)232-5690 -- Fax (586)781-0888

**36" 1/4 BEND (90°) CIOD G x CIOD G
PVC SDR26 GASKETED SEWER
36" x 36" CIOD G x CIOD G**

PRINTED COPIES ARE FOR REFERENCE ONLY

DATE: 8/3/2015 DRAWN BY: RKS

DATE: 8/3/2015 CHECKED BY: RBP

H2536.CIOD.S

CUSTOMER