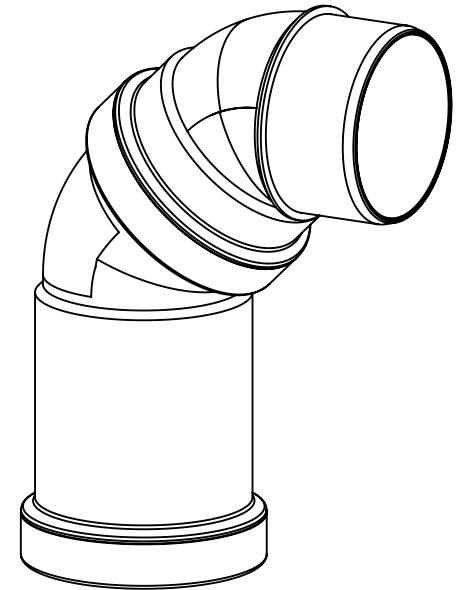


6" SDR26
CHAMFERED
SPIGOT



REF.
ASTM F1336, CSA B181.2

ROYAL Building Products
royalbuildingproducts.com

56400 Mound Road, Shelby Township, MI 48316
Phone (800)232-5690 -- Fax (586)781-0888

PRINTED COPIES ARE FOR REFERENCE ONLY

DATE: 9/5/2014 DRAWN BY: RSS
DATE: 9/5/2014 CHECKED BY: RBP

H2777.D01
CUSTOMER

MOLD #:
ASM.

NOTE: CAD DATA IS MASTER

**6" DEEP SOCKET 1/4 BEND (90) SxG
PVC SDR26 SEWER (2 PIECE ASSEMBLY)**

6"x 6"