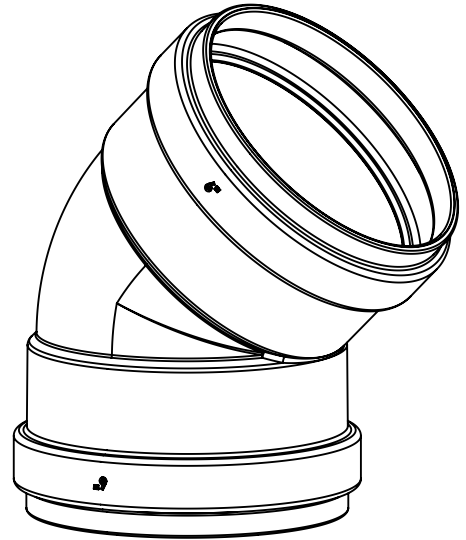


2X 6" TRADE SIZE
SDR35 GASKET
SEWER HUB



GASKETS NOT SHOWN

**1/8 BEND 45°
PVC SDR35 GASKETED SEWER
6"x 6" GxG**

REF.
ASTM D3034
CSA B182.2

NAPCO PIPE & FITTINGS
56400 Mound Road
Shelby Township, MI 48316
U.S.A.
Phone (800) 232-5690 | Fax (586) 781-0888
CSshelby@napcopipe.com | www.napcopipe.com

REFERENCE ONLY

FILE NAME:

G506.A01