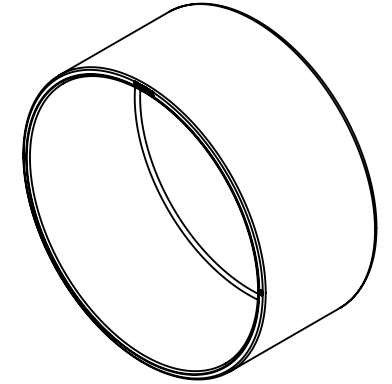
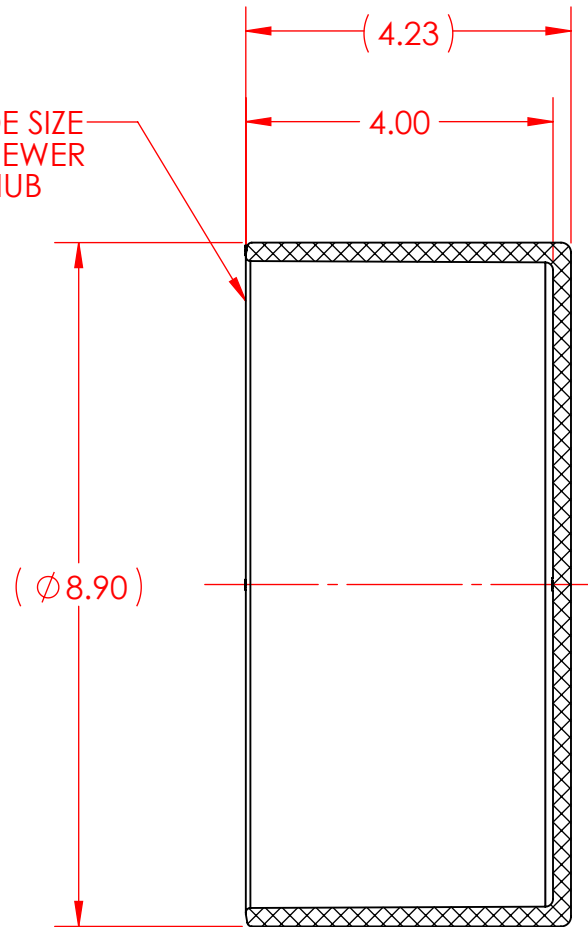


8" TRADE SIZE
SDR35 SEWER
SW HUB



SECTION A-A

CSA B182.2
ASTM D3034

NAPCO PIPE & FITTINGS
56400 Mound Road
Shelby Township, MI 48316
U.S.A.
Phone (800) 232-5690 | Fax (586) 781-0888
CSshelby@napcopipe.com | www.napcopipe.com

8" CAP (H)
PVC SDR35 SW SEWER
8" (H)

REFERENCE ONLY

FILE NAME:

P1608.D01