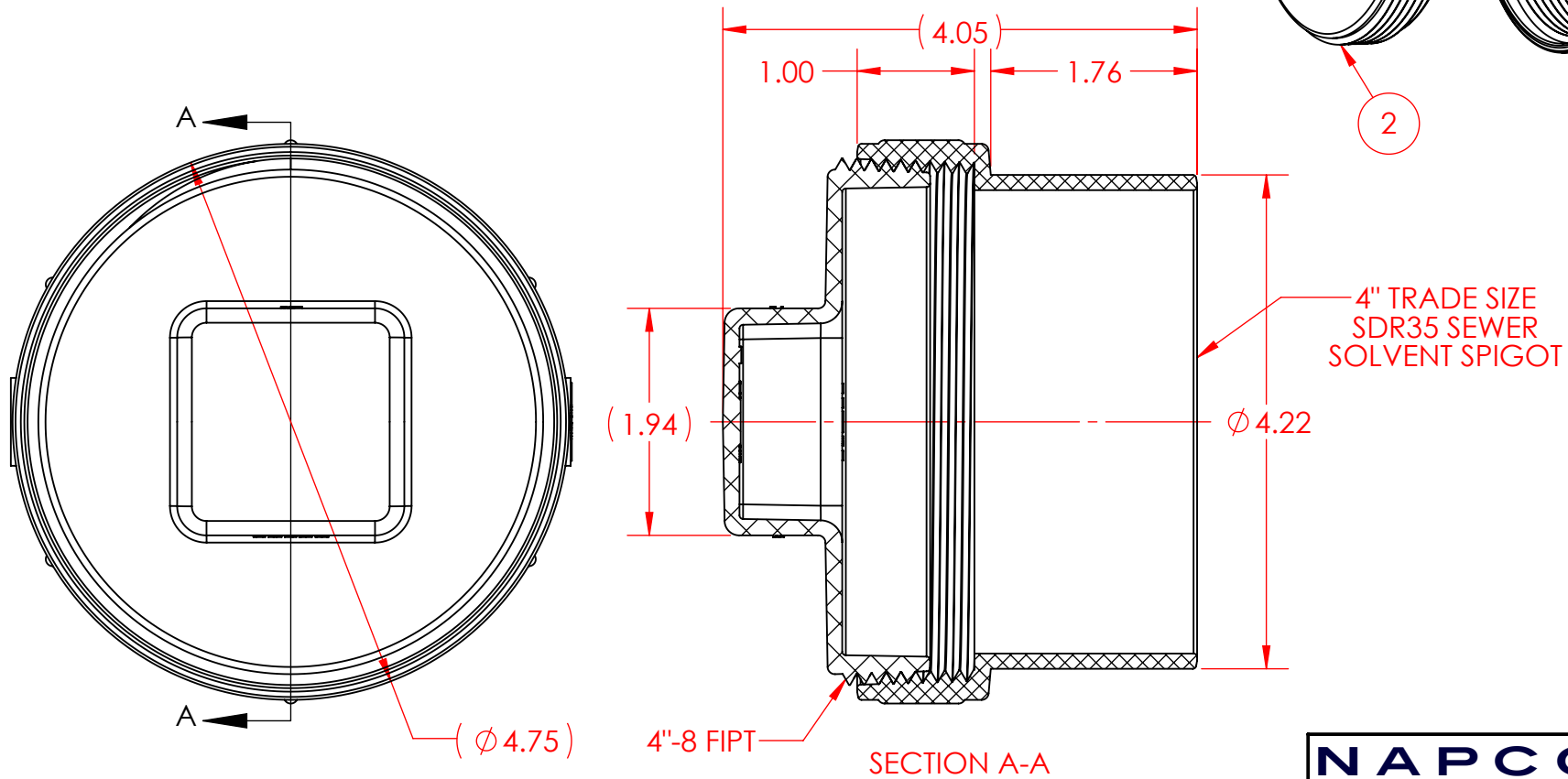


ITEM NO.	PART NUMBER	DESCRIPTION	QTY.
1	P1504.D01	4" FITTING CLEANOUT (SPIGOT x FIPT)	1
2	P1154.D03	4" THREADED PLUG - RAISED	1



**4" FITTING CLEANOUT WITH RAISED PLUG  
PVC SDR35 SEWER**

**4" x 4" SxFIPT**

**NAPCO** PIPE & FITTINGS

56400 Mound Road  
Shelby Township, MI 48316  
U.S.A.  
Phone (800) 232-5690 | Fax (586) 781-0888  
CSshelby@napcopipe.com | www.napcopipe.com

REFERENCE ONLY

FILE NAME:

P9504.A01