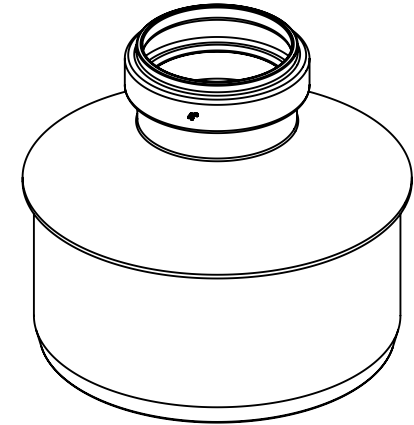
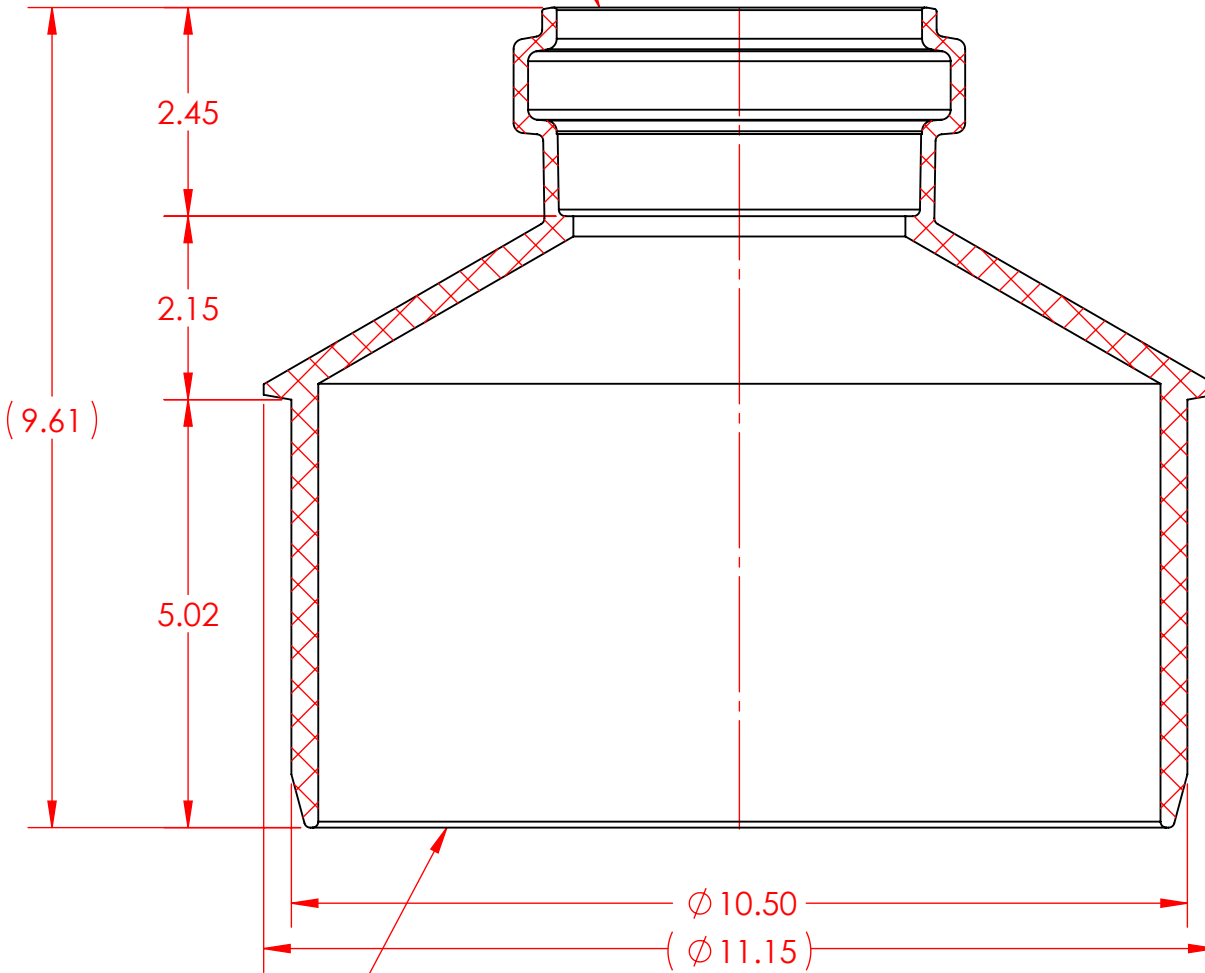


4" TRADE SIZE  
SDR26 SEWER  
GASKET HUB



10" TRADE SIZE  
SDR35 SEWER  
CHAMFER SPIGOT

GASKETS NOT SHOWN

REF.  
CSA B182.2  
ASTM D3034

**NAPCO** PIPE & FITTINGS

56400 Mound Road  
Shelby Township, MI 48316  
U.S.A.  
Phone (800) 232-5690 | Fax (586) 781-0888  
CSshelby@napcopipe.com | www.napcopipe.com

**10" CONCENTRIC INCREASER BUSHING  
PVC SDR35 GASKETED SEWER**

**10" x 4" SxG**

REFERENCE ONLY

FILE NAME:

G1210-4.D02