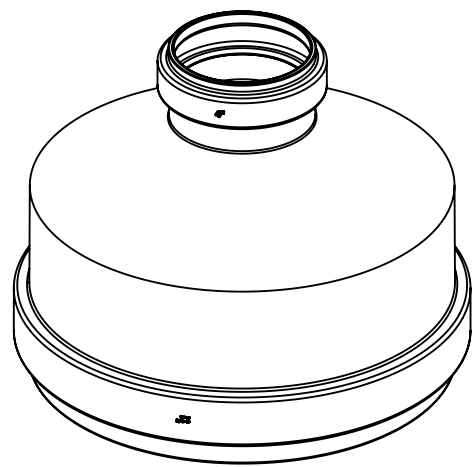


4" TRADE SIZE
SDR26 SEWER
GASKET HUB



12" TRADE SIZE
SDR35 SEWER
GASKET HUB

GASKETS NOT SHOWN

REF.
CSA B182.2
ASTM D3034

NAPCO PIPE & FITTINGS
56400 Mound Road
Shelby Township, MI 48316
U.S.A.
Phone (800) 232-5690 | Fax (586) 781-0888
CSshelby@napcopipe.com | www.napcopipe.com

**12" CONCENTRIC INCREASER COUPLING
PVC SDR35 GASKETED SEWER**

12" x 4" GxG

REFERENCE ONLY
FILE NAME:
G6012-4.D02