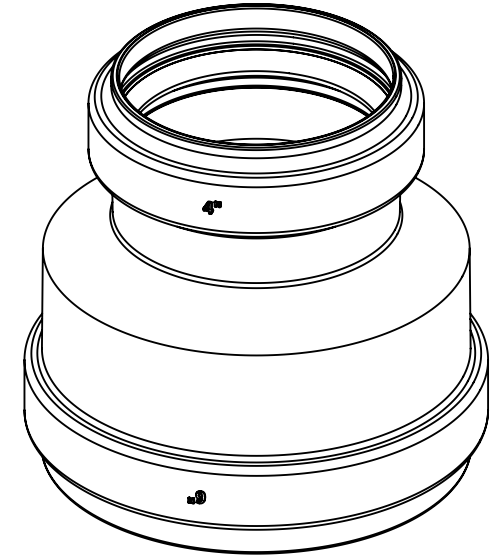


GASKETS NOT SHOWN

REF.
CSA B182.2
ASTM D3034



**6" CONCENTRIC INCREASER COUPLING
PVC SDR35 GASKETED SEWER**

6" x 4" GxG

NAPCO PIPE & FITTINGS

56400 Mound Road
Shelby Township, MI 48316
U.S.A.
Phone (800) 232-5690 | Fax (586) 781-0888
CSshelby@napcopipe.com | www.napcopipe.com

REFERENCE ONLY

FILE NAME:

G606-4.D02