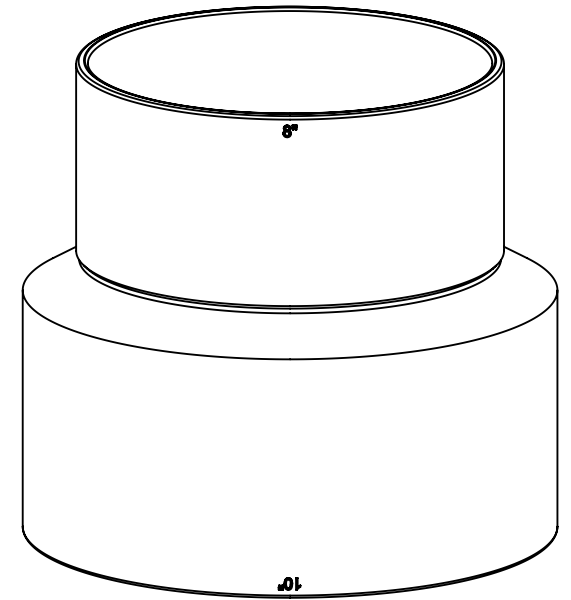


10" TRADE SIZE  
SDR35 SEWER  
SW HUB

8" TRADE SIZE  
SDR35 SEWER  
SW HUB



REF:  
CSA B182.2  
ASTM D3034

**NAPCO** PIPE & FITTINGS

56400 Mound Road  
Shelby Township, MI 48316  
U.S.A.  
Phone (800) 232-5690 | Fax (586) 781-0888  
CSshelby@napcopipe.com | www.napcopipe.com

**10" CONCENTRIC REDUCER COUPLING  
PVC SW SDR35 SEWER**

**10"x 8" HxH**

REFERENCE ONLY

FILE NAME:

P6010-8.D01