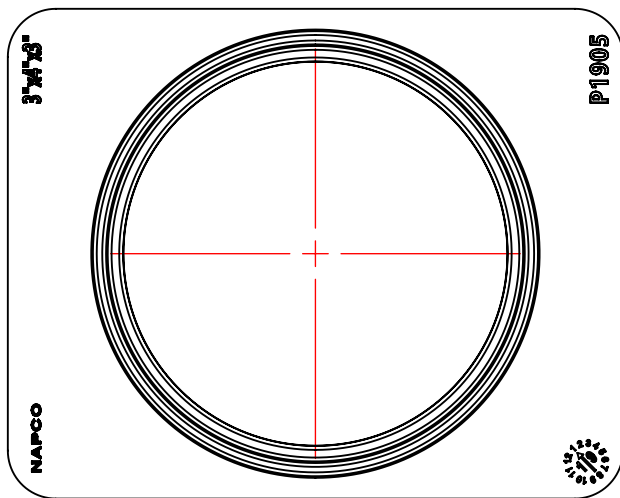
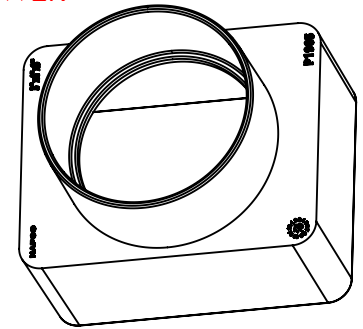


3" TRADE SIZE  
SOLVENT WELD  
SDR35 SEWER  
HUB



BOTTOM VIEW

SECTION A-A

CSA B182.2  
ASTM D3034

**NAPCO** PIPE & FITTINGS

56400 Mound Road  
Shelby Township, MI 48316  
U.S.A.  
Phone (800) 232-5690 | Fax (586) 781-0888  
CSshelby@napcopipe.com | www.napcopipe.com

**3"x 4"x 3" DOWNSPOUT ADAPTER  
PVC SDR35 SEWER - 3" SOLVENT SEWER HUB**

**3"x 4"x 3" DOWNSPOUT x H**

REFERENCE ONLY

FILE NAME:

P1905.D06