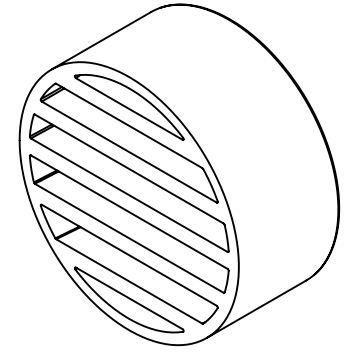
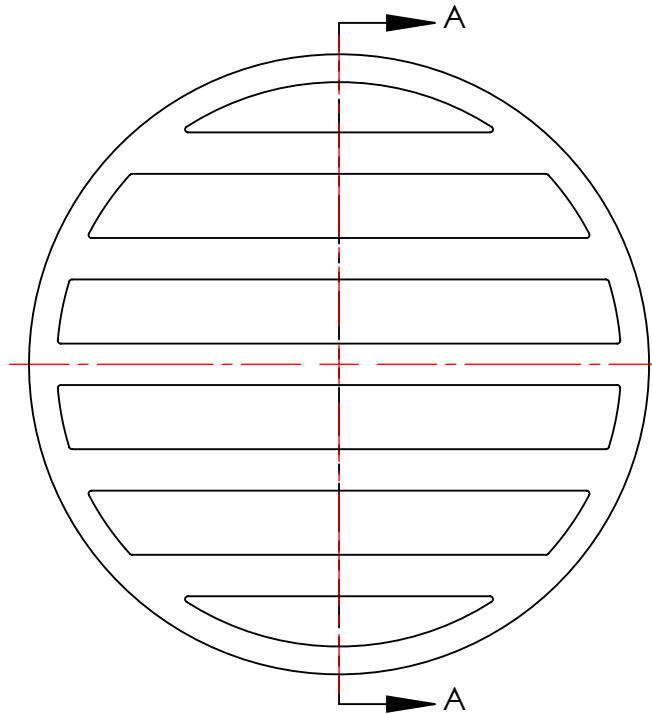


SECTION A-A



REF:
CSA B182.2
ASTM D3034

NAPCO PIPE & FITTINGS
56400 Mound Road
Shelby Township, MI 48316
U.S.A.
Phone (800) 232-5690 | Fax (586) 781-0888
CSshelby@napcopipe.com | www.napcopipe.com

3" DRAIN GRATE (S)
PVC SDR35 SEWER

3" (SPIGOT)

REFERENCE ONLY

FILE NAME:

P912.D01