

# ENT Electrical Non-Metallic Slab Box



# ENT ELECTRICAL NON-METALLIC SLAB BOX

## ENT Electrical Non-Metallic Slab Box

NAPCO launches its latest ENT Slab Box with state of the art features and benefits sure to meet the needs of today's contractor. Our re-invented slab box is manufactured to provide a fitting equipped to save time and money and eliminates the most common installation problems. The new ENT Slab Box is a perfect fit for all Residential, Commercial and Institutional low or high-rise construction markets.



Our line of Electrical Non-Metallic (ENT) fittings are all manufactured in a state-of-the-art facility and are designed and tested to meet all necessary industry standards. Our complete line of Electrical Non-Metallic (ENT) fittings are light weight, watertight and are non-corrosive and non-conductive lowering installation and life cycle costs.



## Manufacturing

This re-designed PVC fitting contains an exterior clip that can be removed or replaced when required. It is easy to insert and won't pull apart under rugged construction activities. It also features a new angled nailing system to quickly secure the box to the floor before the concrete pour. Our Slab Box is manufactured with longer hubs allowing for greater surface grab using a 3-click deep insertion system to ensure a secure concrete tight fit.



Slab Boxes hubs are elevated to permit a larger diameter rebar.



The Liberty Village project in Toronto, Ontario used both electrical non-metallic (ENT) pipe and various electrical non-metallic (ENT) slab boxes, as well as other ENT fittings.

Better equipped with features to make the job easier for all Residential, Commercial and Institutional projects.

## Product Features

- External removable and replaceable clip rings
- 3-Click insertion depth for concrete tight fit
- 4-Prong locking system provides a stronger grip
- Reinforced PVC for durability and crush resistance
- Made from non-metallic and non-corrosive PVC
- Slab Boxes with 6 different hub configurations
- Slab Boxes equipped with 8 optional nail or screw holes
- Slab Box hubs elevated permitting larger diameter rebar
- Slab Boxes are available with colored Ident-a-Box® Lids
- Single and Deep Gang Wall Boxes have a rigid PE Protective

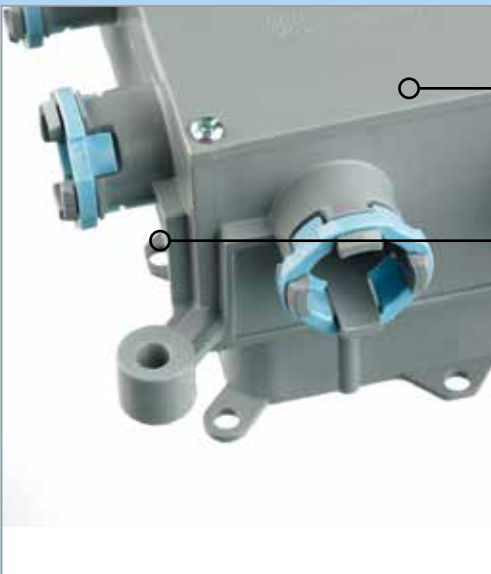


**Types of Slab & Wall Boxes available:**

1. Slab Box
2. Ident-A-Box® Slab Box with specified colored lid
3. Square Slab Box with Optional Divider Plate
4. Shallow Slab Box
5. Shallow Single Gang Concrete Wall Box
6. Deep Single Gang Concrete Wall Box

**Ident-A-Box® Color Legend**

- Grey: Generic
- Green: Security, Cable, Telephone
- White: Hydro - 600 Volt
- Yellow: Emergency & Lighting Signs
- Red: Fire Alarm

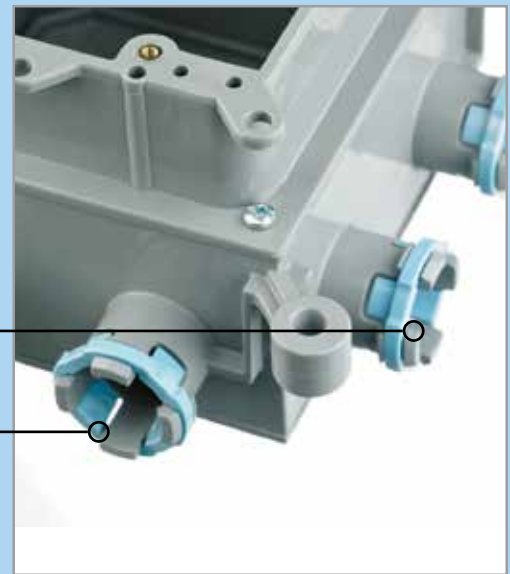


Durable and Crush Resistant

Equipped with 8 optional nail or screw holes

Removable and Replaceable Clip Rings

4-Prong Locking System with 3-click insertion depth

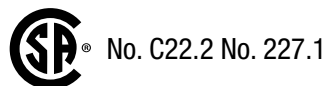


**Note**

For additional configurations, list prices, dimensional drawings, Policy and Terms and our Conditions of Sale visit [www.napcopipe.com](http://www.napcopipe.com). To see all of our other innovative and industry leading products for various applications, please visit [www.napcopipe.com](http://www.napcopipe.com)

**Certifications**

Our complete line of Electrical Non-Metallic (ENT) fittings are manufactured to meet specifications defined in CSA No. C22.2, No. 227.1 and UL 1653.



**Our various pipe and fittings solutions have been manufactured to meet the need of our customers and their applications. Contact one of the Sales Centres for more information:**

**Sales & Distribution Centres:**

Langley, BC, Canada  
T/F 1.800.663.0696  
F 1.800.663.6564

Woodbridge, ON, Canada  
T/F 1.866.769.7473  
F 905.856.3986

Laval, QC, Canada  
T/F 1.800.465.9754  
F 450.688.6624

**Distribution Centres:**

Calgary, AB, Canada  
T/F 1.800.663.0696  
F 1.800.663.6564

Winnipeg, MB, Canada  
T/F 1.800.663.0696  
F 1.800.663.6564



[napcopipe.com](http://napcopipe.com)