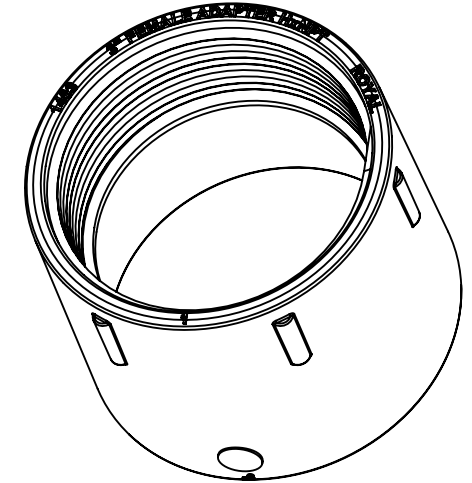


3"-8 NPT
ASTM F1498
TABLE 5

SECTION A-A

3" TRADE SIZE
SOLVENT WELD
DWV HUB



REF. CSA B181.2
ASTM D2665

Part Number	Product Line	Line Description	Color	NAPCO PIPE & FITTINGS 56400 Mound Road Shelby Township, MI 48316 U.S.A. Phone (800) 232-5690 Fax (586) 781-0888 CSShelby@napcopipe.com www.napcopipe.com
D1403	DWV-US	DWV U.S.A.	White	
DL1403	DL	Low Rise	Lt. Gray	
DH1403	DH	High Rise	Dk. Gray	

**3" FEMALE ADAPTER
PVC SOLVENT WELD DWV**

3"x 3" HxFPT

REFERENCE ONLY

FILE NAME:

D1403.D03