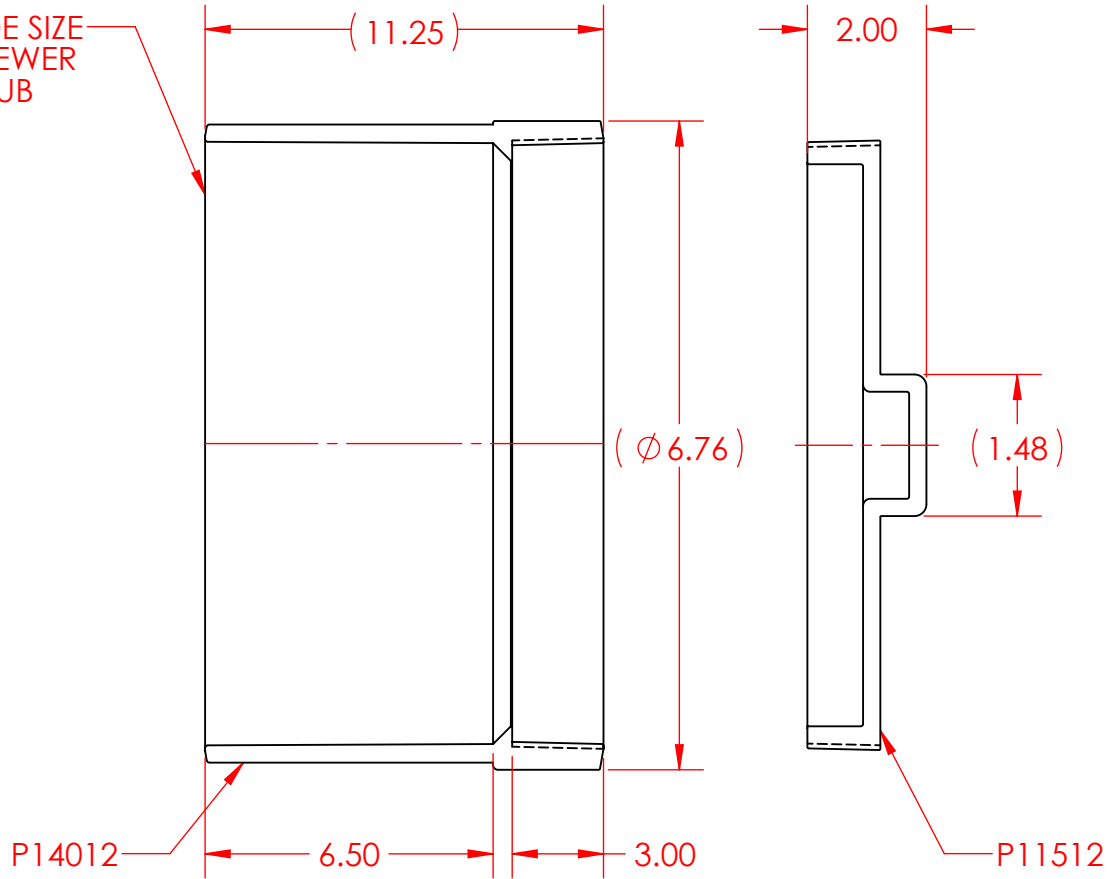


12" TRADE SIZE
SDR35 SEWER
SW HUB



NAPCO PIPE & FITTINGS

56400 Mound Road
Shelby Township, MI 48316
U.S.A.
Phone (800) 232-5690 | Fax (586) 781-0888
CSshelby@napcopipe.com | www.napcopipe.com

REF:
CSA B182.2
ASTM D3034

**12" FEMALE ADAPTER WITH RAISED PLUG
PVC SDR35 SW SEWER**

12"x 12" HUB x FIPT

REFERENCE ONLY

FILE NAME:

P94012.D01