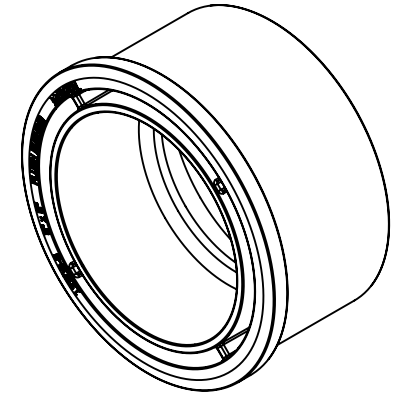
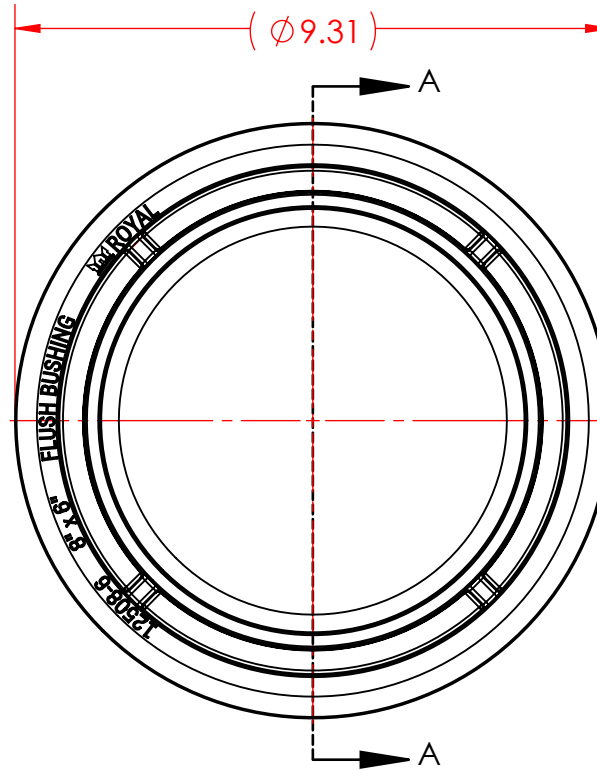


SECTION A-A



REF. ASTM D2665
 CSA B181.2
 ULC - 102.2
 ULC - S636

Part Number	Product Line	Line Description	Color
D12508-6	DWV-US	DWV U.S.A.	White
DL12508-6	DL	Low Rise	Lt. Gray
DH12508-6	DH	High Rise	Dk. Gray
52GVIN0608INCHS	GVS65	Gas Vent System 65C	White
52GVFIN0608INCHS	GVS90	Gas Vent System 90C	Lt. Gray

NAPCO PIPE & FITTINGS

56400 Mound Road
 Shelby Township, MI 48316
 U.S.A.
 Phone (800) 232-5690 | Fax (586) 781-0888
 CSShelby@napcopipe.com | www.napcopipe.com

**8"x 6" FLUSH BUSHING
 PVC SW DWV**

8"x 6" SxH

REFERENCE ONLY

FILE NAME:

D12508-6.D02