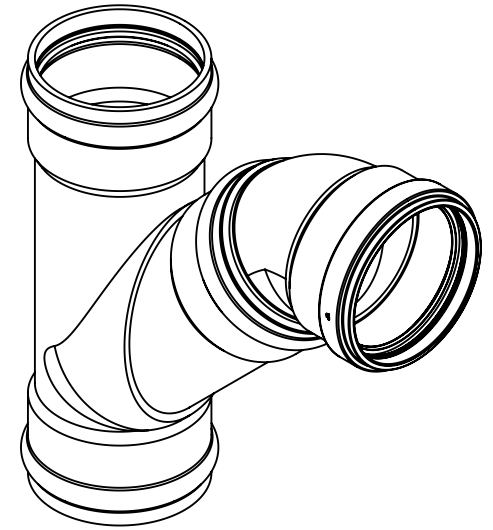
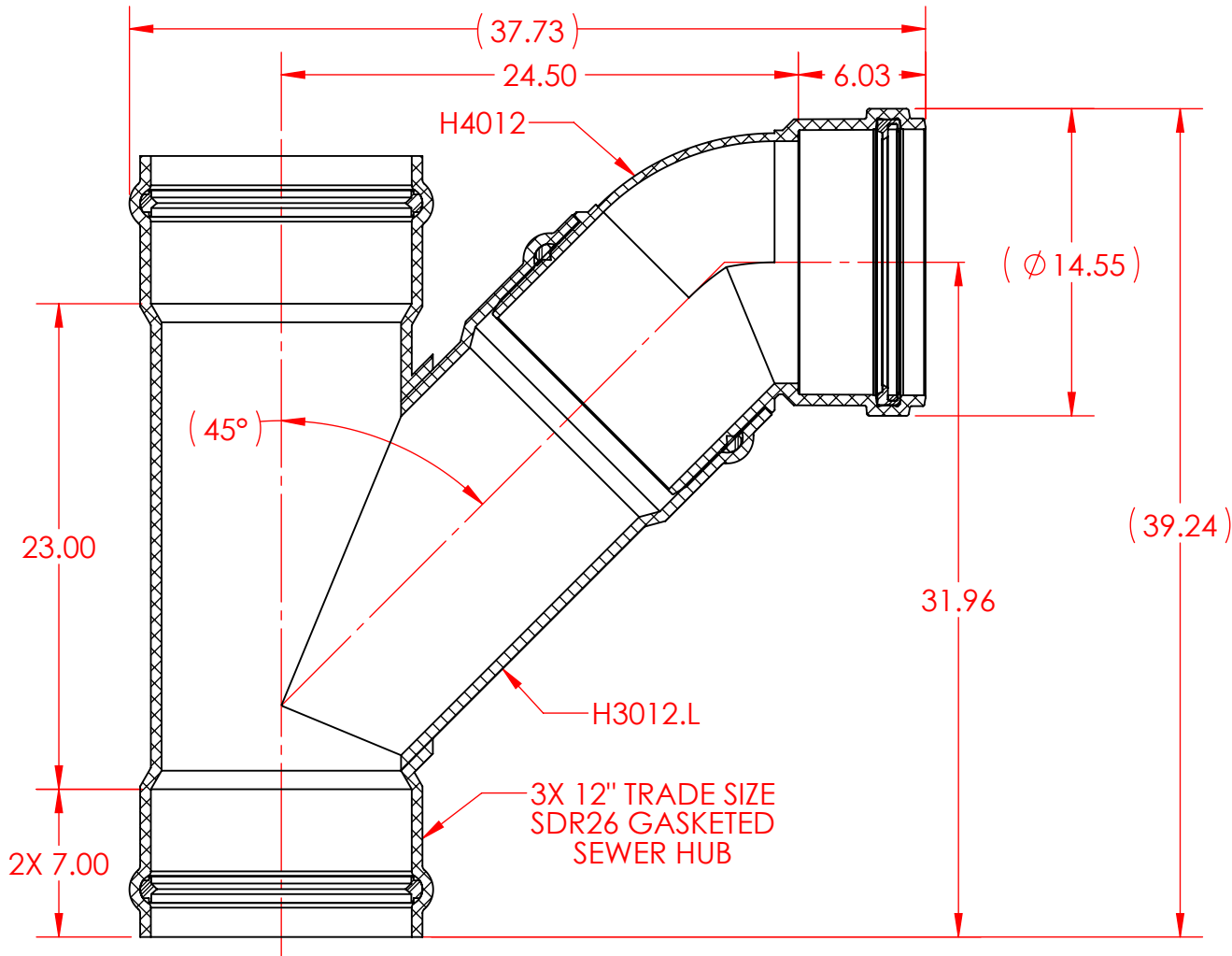


SIGNED DRAWINGS MUST ACCOMPANY PURCHASE ORDER OR DIMENSIONS OF FITTINGS WILL NOT BE GUARANTEED



DISCLAIMER - PLEASE READ

- DIMENSIONS AND APPEARANCE ARE APPROXIMATE AND SUBJECT TO CHANGE WITHOUT NOTICE DUE TO DESIGN OR PRODUCTION MODIFICATIONS
- ANGLE TOLERANCE IS +/- 2 DEGREES.
- ALL OTHER DIMENSIONS ARE TO TOLERANCES OF +/- 1"
- ALL FITTINGS ARE SUBJECT TO NAPCO "STANDARD TERMS AND CONDITIONS"

REF.
CSA - B182.2
ASTM - D3034

04Q121212GGG

NAPCO PIPE & FITTINGS

56400 Mound Road
Shelby Township, MI 48316
U.S.A.
Phone (800) 232-5690 | Fax (586) 781-0888
CSshelby@napcopipe.com | www.napcopipe.com

**12" COMBO WYE & 1/8 BEND (2 PIECE)
PVC SDR26 GASKETED SEWER**

12"x 12"x 12" GxGxG

PRINTED COPIES ARE FOR REFERENCE ONLY

DATE: 8/21/2020 DRAWN BY: GEB

DATE: 8/21/2020 CHECKED BY: RSS

H16512.FAB

CUSTOMER