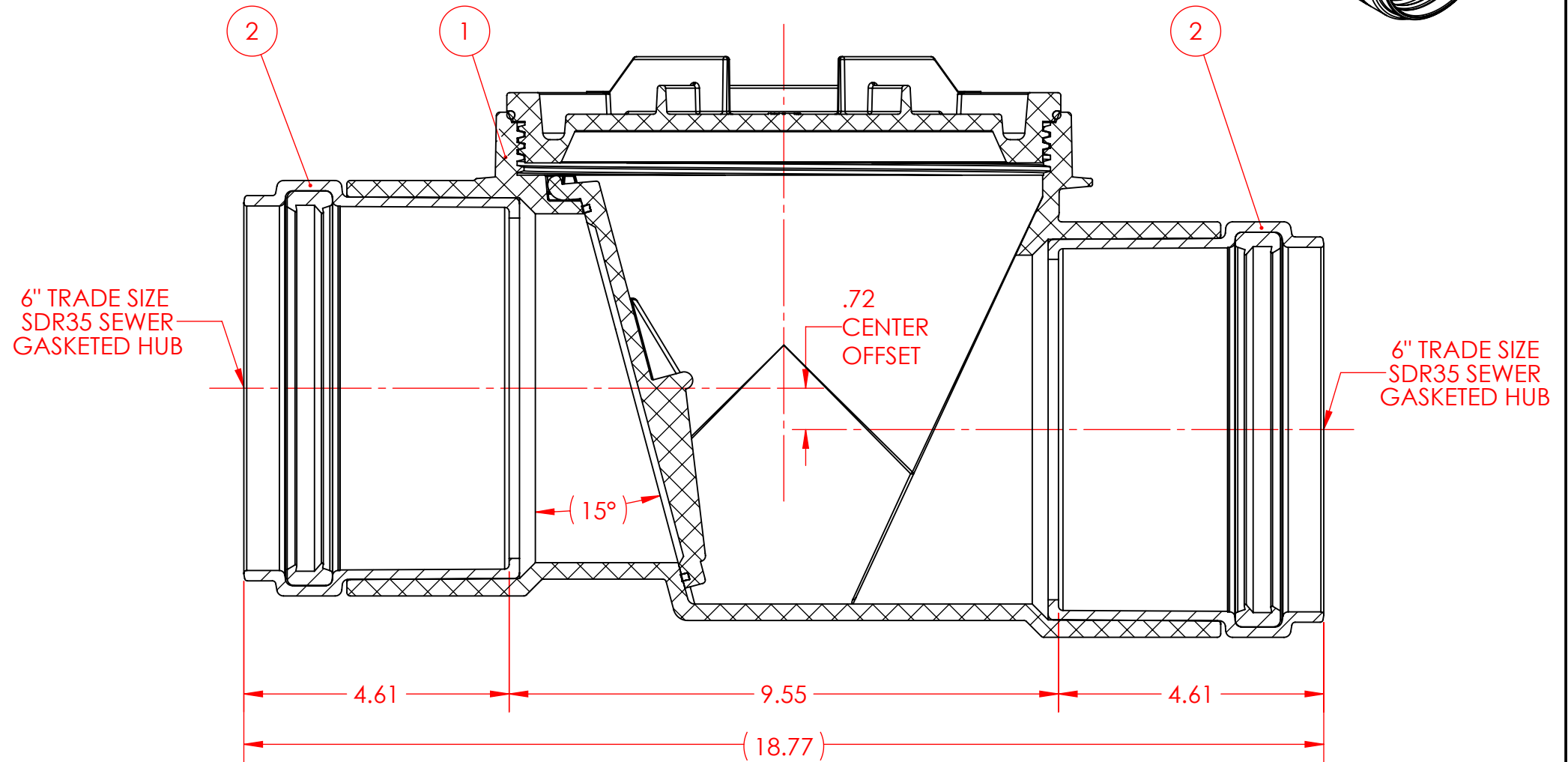
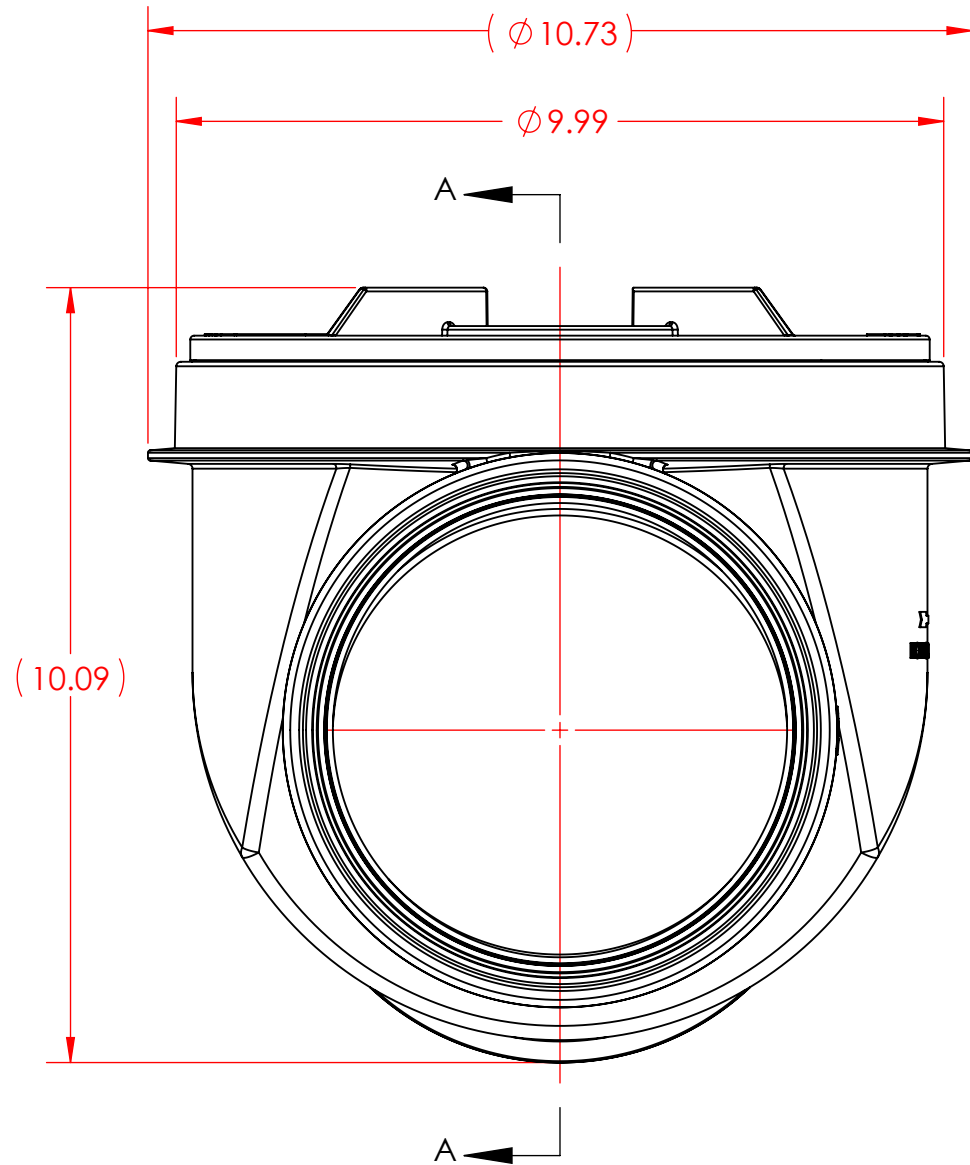
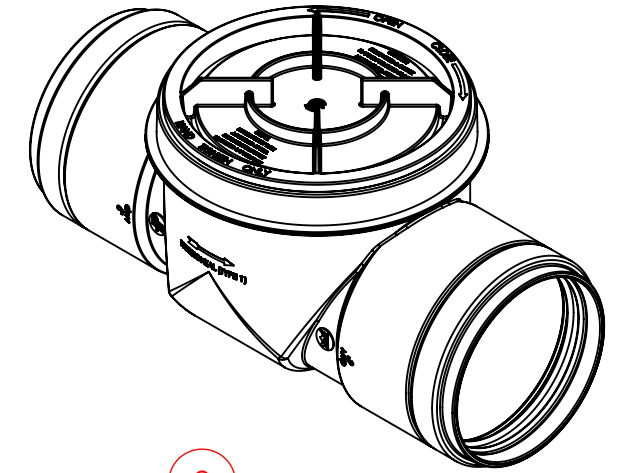


ITEM NO.	PART NUMBER	DESCRIPTION	QTY.
1	D0106.D01	6" INLINE BACKWATER VALVE HxH	1
2	G1209.D01	6" DWV ADAPTER SLEEVE	2



SECTION A-A

REF. ASTM D3034
CSA B182.1, B182.2

NAPCO PIPE & FITTINGS

56400 Mound Road
Shelby Township, MI 48316
U.S.A.
Phone (800) 232-5690 | Fax (586) 781-0888
CSshelby@napcopipe.com | www.napcopipe.com

**6" IN-LINE BACKWATER VALVE ASSEMBLY
SDR35 GASKETED SEWER**

6"x 6" GxG

REFERENCE ONLY

FILE NAME:

G0106.A01

MASTER

CUSTOMER