



PVC Gravity Sewer Pipe | Gasketed Integral Bell

NAPCO Royal's Gasketed Integral Bell PVC Sewer Pipe product line is manufactured to meet the needs of modern municipal waste water systems, storm water drainage systems, and other non-pressure applications. With top quality raw materials and modern processing technology, our gasketed sewer pipe meets all industry standards in addition to our own rigorous quality control requirements.

Our gasketed sewer pipe utilizes Rieber style gaskets throughout the entire product offering to create a leak-free joint.



Short Form Specification	
Pipe Standard:	CSA B182.2, ASTM D3034, F679
Diameter Std.:	PSM
Nominal Sizes*:	4" [100mm], 5" [125mm], 6" [150mm], 8" [200mm], 10" [250mm], 12" [300mm], 15" [375mm], 18" [450mm], 21" [525mm], 24" [600mm], 27" [675mm], 30" [750mm], 36" [900mm]
Dimension Ratios & Pipe Stiffness:	SDR 35 – 46 psi/320 kPa SDR 28 – 90 psi/625 kPa SDR 26 – 115 psi/790 kPa
Pressure Ratings:	Not rated for pressure applications
Lay Length:	14' [4.27m]
Color:	Green, White
Pipe Compound:	ASTM D1784 Cell Class 12454 or 12364
Pipe Options:	Solid Wall
Pipe Joint Std.:	ASTM D3212
Max. Angular Joint Deflection:	As per NAPCO Royal Installation Guide
Gasket Standard:	CSA 182.2/ASTM F477
Gasket Material Offerings:	Standard – SBR Optional – NBR
Certifications:	CSA B182.2, BNQ 3624-130/3624-135**
Installation Std.:	NAPCO Royal Installation Guide/CSA B182.11

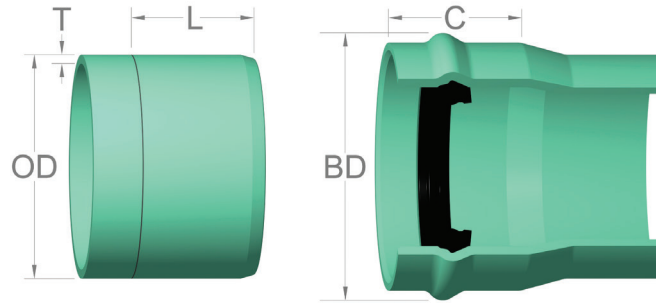
*Contact NAPCO Royal Customer Service for product availability in each region.

**Contact NAPCO Royal Technical Services for product certifications in each region.





PVC Gravity Sewer Pipe | Gasketed Integral Bell



GASKETED SEWER PIPE DIMENSIONS & PERFORMANCE

Nom. Size in. [mm]	Outside Diameter (OD) in. [mm]	SDR	Pipe Stiffness psi [kPa]	Min. Wall Thickness (T) in. [mm]	Internal Diameter (ID) in. [mm]	Approx. Bell Diameter (BD) in. [mm]	Bell Depth (C) in. [mm]	Insertion Mark (L) in. [mm]
4 [100]	4.215 [107.05]	35	46 [320]	0.120 [3.06]	3.975 [100.93]	4.961 [126.01]	3.5/4.25 [88.90/107.95]	2.5/3.5 [63.50/88.90]
		28	90 [625]	0.150 [3.82]	3.915 [99.41]			
		26	115 [790]	0.162 [4.12]	3.891 [98.81]			
5 [125]	5.640 [143.25]	28	90 [625]	0.202 [5.12]	5.236 [133.01]	6.534 [165.96]	4.25 [107.95]	3.25 [82.55]
6 [150]	6.275 [158.88]	35	46 [320]	0.180 [4.55]	5.915 [149.78]	7.244 [184.00]	5.0/4.5 [127.00/114.30]	4.0/3.75 [101.60/95.25]
		28	90 [625]	0.224 [5.69]	5.827 [147.50]			
		26	115 [790]	0.241 [6.13]	5.793 [146.62]			
8 [200]	8.400 [213.35]	35	46 [320]	0.240 [6.10]	7.920 [201.15]	9.528 [242.01]	5.5 [139.70]	4.5/4.75 [114.30/120.65]
		26	115 [790]	0.323 [8.21]	7.754 [196.93]			
10 [250]	10.500 [266.70]	35	46 [320]	0.300 [7.62]	9.900 [251.46]	11.850 [300.99]	7.5/7.25 [190.50/184.15]	6.5/6.25 [165.10/158.75]
		26	115 [790]	0.404 [10.26]	9.692 [246.18]			
12 [300]	12.500 [317.50]	35	46 [320]	0.360 [9.07]	11.780 [299.36]	14.134 [359.00]	7.25/7.75 [184.15/196.85]	6.25/6.75 [158.75/171.45]
		26	115 [790]	0.481 [12.21]	11.538 [293.08]			
15 [375]	15.300 [388.63]	35	46 [320]	0.437 [11.10]	14.426 [366.43]	16.890 [429.01]	8.25/9 [209.55/228.60]	7.25/8.25 [184.15/209.55]
		26	115 [790]	0.588 [14.95]	14.125 [358.73]			

Notes:

1. These dimensions are for estimating purposes only.
2. SDR = Standard Dimension Ratio
3. Approximate bell diameter shown applies to SDR 35 pipe.
4. Internal diameter calculated using nominal outside diameter and minimum wall thickness.
5. For bell depths and insertion marks shown as xx/xx, this represents bell depths and insertion marks for pipe made in Woodbridge, ON/Abbotsford, BC



PVC Gravity Sewer Pipe | Gasketed Integral Bell

GASKETED SEWER PIPE DIMENSIONS & PERFORMANCE								
Nom. Size in. [mm]	Outside Diameter (OD) in. [mm]	Class	Pipe Stiffness psi [kPa]	Min. Wall Thickness (T) in. [mm]	Internal Diameter (ID) in. [mm]	Approx. Bell Diameter (BD) in. [mm]	Bell Depth (C) in. [mm]	Insertion Mark (L) in. [mm]
18 [450]	18.701 [475.00]	SDR 35	46 [320]	0.534 [13.57]	17.633 [447.86]	20.748 [527.00]	9.5/10.25 [241.30/260.35]	8.5/8.75 [215.90/222.25]
		SDR 26	115 [790]	0.720 [18.27]	17.261 [438.46]			
21 [525]	22.047 [560.00]	SDR 35	46 [320]	0.632 [16.00]	20.783 [528.00]	24.212 [614.98]	10.25/11 [260.35/279.40]	9.25/10 [234.95/254.00]
24 [600]	24.803 [630.00]	SDR 35	46 [320]	0.711 [18.00]	23.381 [594.00]	27.244 [692.00]	11.0/12 [279.40/304.80]	10/10.75 [254.00/273.05]
27 [675]	27.953 [710.00]	SDR 35	46 [320]	0.801 [20.29]	26.351 [669.42]	30.551 [776.00]	12.0 [304.80]	11.0 [279.40]
30 [750]	32.000 [812.8]	SDR 35	46 [320]	0.914 [23.22]	30.172 [766.36]	37.102 [942.39]	15.125 [384.18]	14.125 [358.78]
		SDR 26	115 [790]	1.231 [31.26]	29.538 [750.28]			
36 [900]	38.300 [972.8]	SDR 35	46 [320]	1.094 [27.79]	36.112 [917.22]	43.194 [1,097.13]	19.125 [485.78]	18.125 [460.38]
		SDR 26	115 [790]	1.473 [37.42]	35.354 [897.96]			

Notes:

1. These dimensions are for estimating purposes only.
2. SDR = Standard Dimension Ratio
3. Approximate bell diameter shown applies to SDR 35 pipe.
4. Internal diameter calculated using nominal outside diameter and minimum wall thickness.
5. For bell depths and insertion marks shown as xx/xx, this represents bell depths and insertion marks for pipe made in Woodbridge, ON/Abbotsford, BC

Perforation Option

Gasketed sewer pipe can be provided with perforations as a made-to-order item. The perforation pattern is shown below. Please note that the addition of perforations to this product voids the certification.

