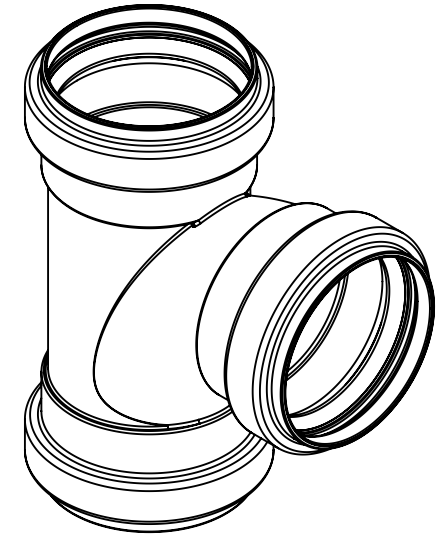


3X 4" TRADE SIZE  
SDR35 GASKETED  
SEWER HUB

NOTE: GASKETS NOT SHOWN

REF. ASTM D3034  
CSA B182.1, B182.2



**4" SANITARY TEE (T-Y)  
PVC SDR35 GASKETED SEWER**

**4" x 4" GxGxG**

**NAPCO** PIPE & FITTINGS

56400 Mound Road  
Shelby Township, MI 48316

U.S.A.

Phone (800) 232-5690 | Fax (586) 781-0888

CSshelby@napcopipe.com | www.napcopipe.com

REFERENCE ONLY

FILE NAME:

G156.D01