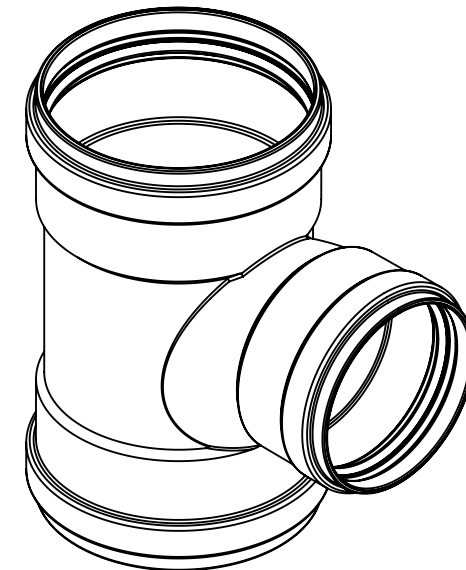


NOTE: GASKETS NOT SHOWN

REF. ASTM D3034  
CSA B182.1, B182.2

**8" SANITARY TEE (T-Y) with 6" BRANCH  
PVC SDR35 GASKETED SEWER**

**8"x 8"x 6" GxGxG**



**NAPCO** PIPE & FITTINGS

56400 Mound Road  
Shelby Township, MI 48316  
U.S.A.

Phone (800) 232-5690 | Fax (586) 781-0888  
CSshelby@napcopipe.com | www.napcopipe.com

REFERENCE ONLY

FILE NAME:

G158-6.D01