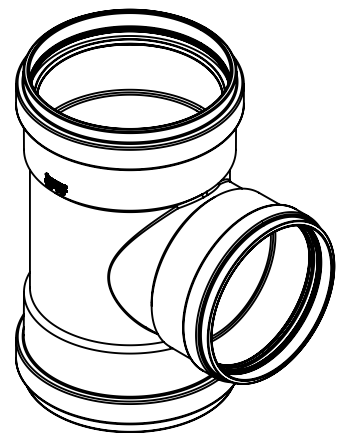


10" TRADE SIZE
SDR35 SEWER
GASKET HUB



REF:
ASTM D3034
CSA B182.2

GASKETS NOT SHOWN

NAPCO PIPE & FITTINGS
56400 Mound Road
Shelby Township, MI 48316
U.S.A.
Phone (800) 232-5690 | Fax (586) 781-0888
CSshelby@napcopipe.com | www.napcopipe.com

REFERENCE ONLY

FILE NAME:
G1012-10.D01

**12" x 10" STRAIGHT TEE WITH REDUCING BRANCH
PVC SDR35 GASKET SEWER**

12" x 12" x 10" GxGxG