



TECHNICAL SPECIFICATION

Electrical Nonmetallic Tubing (ENT) Slab Box, RSMB Series

SCOPE

This specification covers the requirements for Electrical Nonmetallic Tubing Slab Boxes with opening sizes to fit 1/2", 3/4" and 1" ENT. These boxes are certified to the Canadian Standards Association (CSA) standard C22.2 No. 18.2 and Underwriters Laboratories (UL) Standard 514C. These boxes are acceptable for fixture and ceiling fan support and are concrete-tight.

MARKING

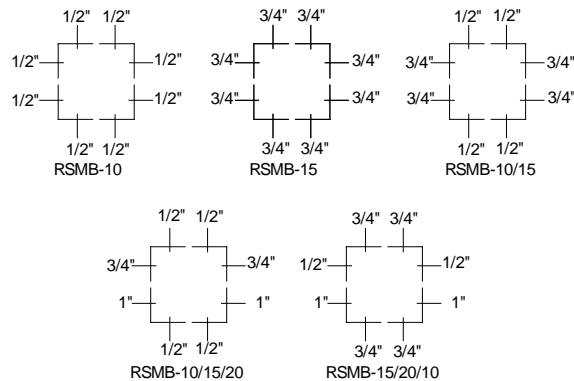
ENT Slab Box markings are as specified in CSA C22.2 No. 18.2 and UL 514C.

TEST REQUIREMENTS

Quality testing is as per NAPCO's Quality Assurance program and in accordance with CSA C22.2 No. 18.2 and UL 514C.

SLAB BOX CONFIGURATIONS

Part Number	Opening Configuration
RSMB-10	8 x 1/2"
RSMB-15	8 x 3/4"
RSMB-10/15	4 x 1/2", 4 x 3/4"
RSMB-10/15/20	4 x 1/2", 2 x 3/4", 2 x 1"
RSMB-15/20/10	4 x 3/4", 2 x 1", 2 x 1/2"





SLAB BOX OVERALL DIMENSIONS (All Dimensions in Inches)

