



TECHNICAL SPECIFICATION

Electrical Nonmetallic Tubing (ENT) Square Slab Box, RSSB-H Series

SCOPE

This specification covers the requirements for Electrical Nonmetallic Tubing Slab Boxes with hub sizes to fit 1/2", 3/4" and 1" ENT. These boxes are certified to the Canadian Standards Association (CSA) standard C22.2 No. 18.2. These boxes are acceptable for use with devices and are concrete-tight.

MARKING

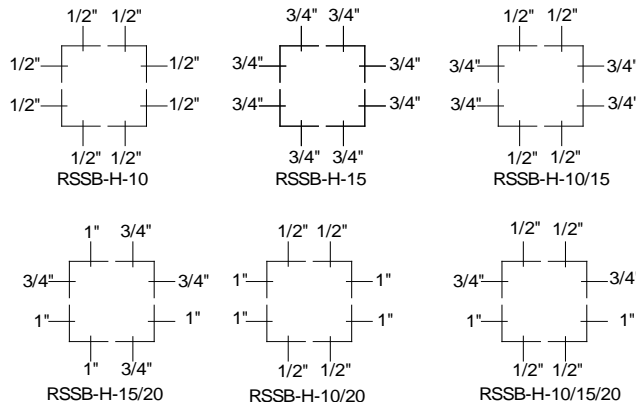
ENT Slab Box markings are as specified in CSA C22.2 No. 18.2.

TEST REQUIREMENTS

Quality testing is as per NAPCO's Quality Assurance program and in accordance with CSA C22.2 No. 18.2.

SLAB BOX CONFIGURATIONS

Part Number	Hub Configuration
RSSB-H-10	8 x 1/2"
RSSB-H-15	8 x 3/4"
RSSB-H-10/15	4 x 1/2", 4 x 3/4"
RSSB-H-15/20	4 x 1/2", 2 x 3/4", 2 x 1"
RSSB-H-10/20	4 x 1/2", 4 x 1"
RSSB-H-10/15/20	4 x 3/4", 2 x 1", 2 x 1/2"





SLAB BOX OVERALL DIMENSIONS (All Dimensions in Inches)

