



TECHNICAL SPECIFICATION

Electrical Nonmetallic Tubing (ENT) Deep Wall Box, RSVDB-H Series

SCOPE

This specification covers the requirements for Electrical Nonmetallic Tubing Deep Wall Boxes with opening sizes to fit 1/2", 3/4" and 1" ENT. These boxes are CSA certified to the Canadian Standards Association (CSA) standard C22.2 No. 18.2 and Underwriters Laboratories (UL) Standard 514C. These boxes are designed to support electrical devices and are concrete-tight.

MARKING

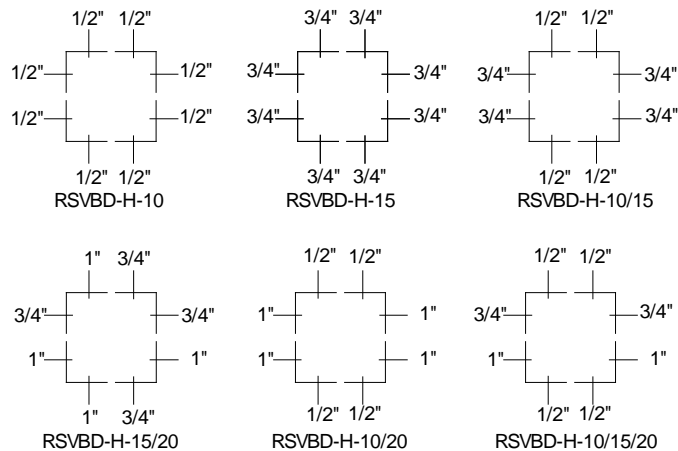
ENT Deep Wall Box markings are as specified in CSA C22.2 No. 18.2 and UL 514C.

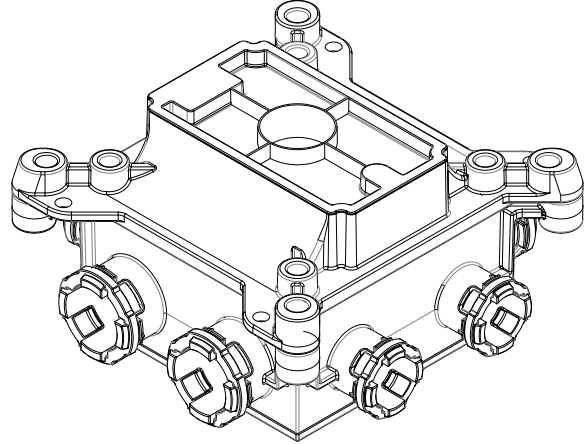
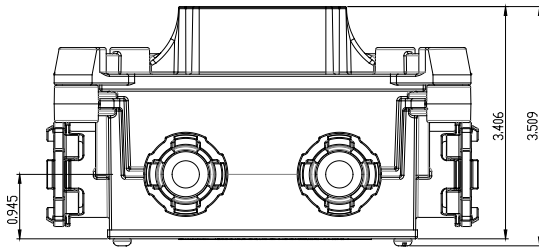
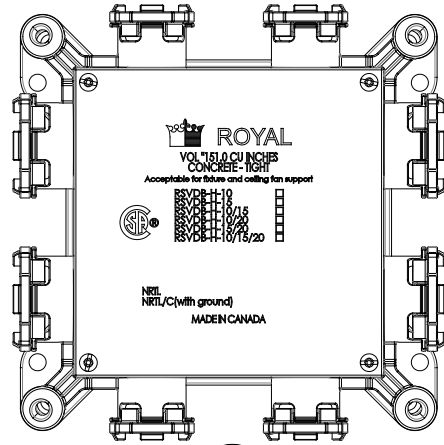
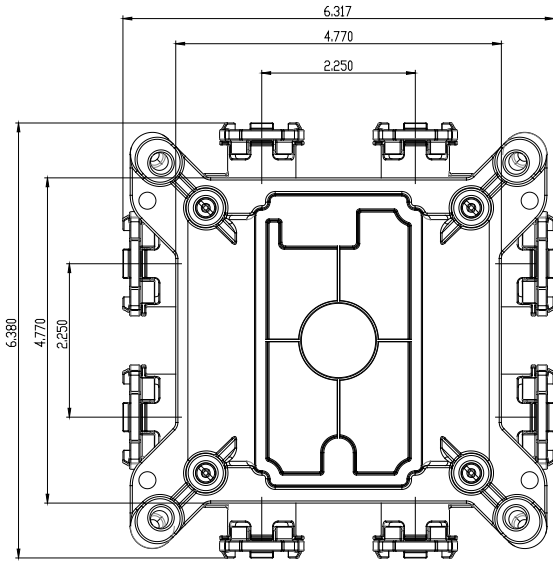
TEST REQUIREMENTS

Quality testing is as per NAPCO's Quality Assurance program and in accordance with CSA C22.2 No. 18.2 and UL 514C.

WALL BOX CONFIGURATIONS

Part Number	Hub Configuration
RSVDB-H-10	8 x 1/2"
RSVDB-H-15	8 x 3/4"
RSVDB-H-10/15	4 x 1/2", 4 x 3/4"
RSVDB-H-15/20	4 x 3/4", 4 x 1"
RSVDB-H-10/20	4 x 1/2", 4 x 1"
RSVDB-H-10/15/20	4 x 1/2", 2 x 3/4", 2 x 1"





Note: All Dimensions are in Inches