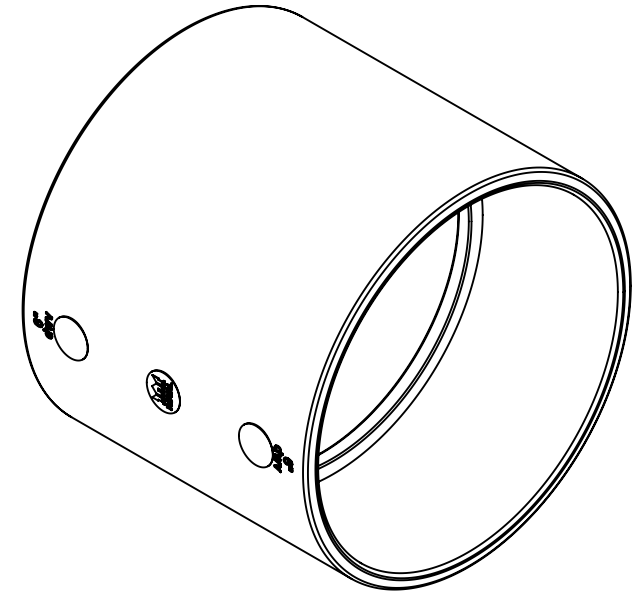
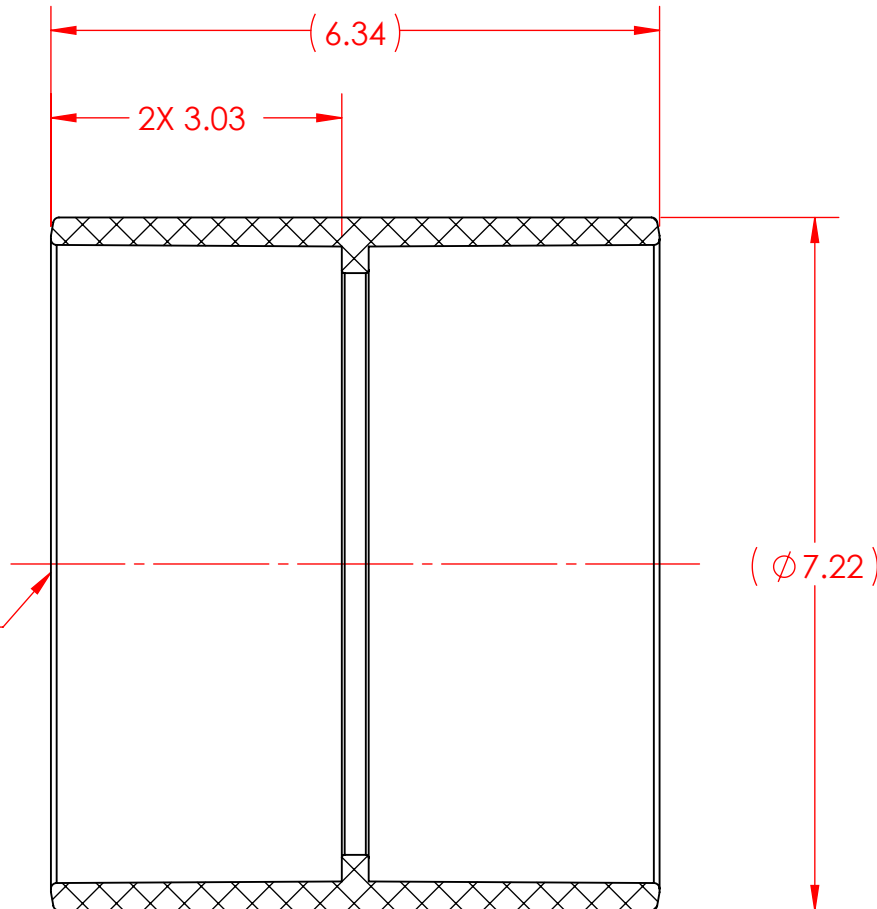


2X 6" TRADE SIZE
SW DWV HUB



**REF. ASTM D2665
CSA B181.2
ULC - 102.2
ULC - S636**

Part Number	Product Line	Line Description	Color
D606	DWV-US	DWV U.S.A.	White
DL606	DL	Low Rise	Lt. Gray
DH606	DH	High Rise	Dk. Gray
32GVCOUP06HH	GVS65	Gas Vent System 65C	White
32GVFCOUP06HH	GVS90	Gas Vent System 90C	Lt. Gray

NAPCO PIPE & FITTINGS

56400 Mound Road
Shelby Township, MI 48316
U.S.A.
Phone (800) 232-5690 | Fax (586) 781-0888
CSshelby@napcopipe.com | www.napcopipe.com

**6" STOP COUPLING
PVC SW DWV**

6"x 6" HxH

REFERENCE ONLY

FILE NAME:

D606.D02