

NAPCO
ROYAL PIPE & FITTINGS

131 Regalcrest Court
Woodbridge, ON L4L 8P3
Tel: (905) 856-7550
Fax: (905) 856-4367
Toll free: 1-800-263-2353

TECHNICAL SPECIFICATION

**PVC Superdrain
Solid and Perforated**

Scope:

This specification designates the general requirements for NAPCO PVC Superdrain, solid and perforated with a solvent weld joint.

Pipe:

Pipe is available in diameters of 75mm (3"), 100mm (4") and 150mm (6") for both perforated and solid wall pipe.

Perforated superdrain has the hole pattern shown below.

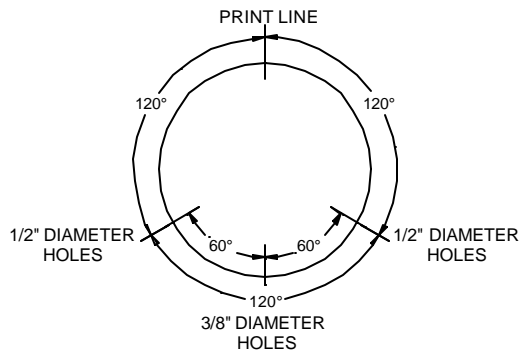
Material:

The pipe is manufactured from PVC compound.

Pipe Dimensions:

PVC Superdrain

Nom. Size (in)	Outside Diameter (in)	Wall Thickness (in)	Average Bell Depth (in)	Pipe Length (Incl. Bell) (ft)
3	3.242 – 3.258	0.070 – 0.080	2.500	10
4	4.206 – 4.224	0.075 – 0.089	3.000	10
6	6.264 – 6.286	0.100 – 0.120	4.000	10



1/2" Diameter Holes-5" Spacing
3/8" Diameter Holes-30" Spacing

Prepared: February 4, 2004
By: S. Scott
Revised: May 23, 2007