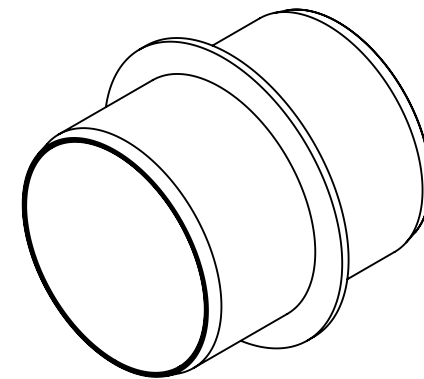
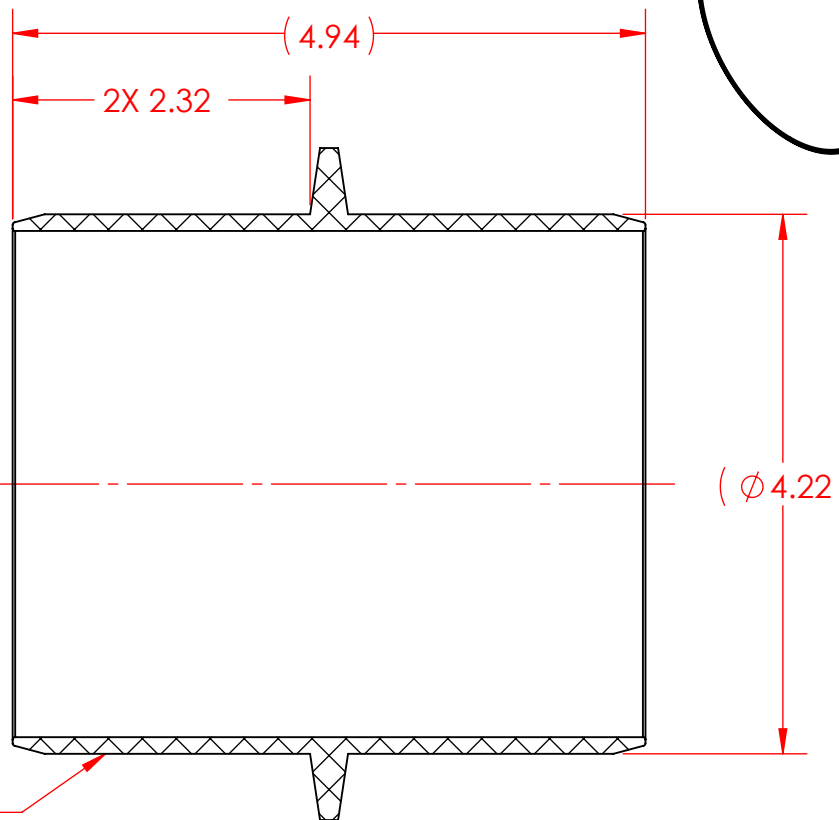


2X TRADE SIZE
SDR35 GASKETED
SEWER SPIGOT



SECTION A-A

REF. ASTM D3034
CSA B182.1, B182.2

NAPCO PIPE & FITTINGS

56400 Mound Road
Shelby Township, MI 48316
U.S.A.
Phone (800) 232-5690 | Fax (586) 781-0888
CSshelby@napcopipe.com | www.napcopipe.com

**4" VERTICAL RISER ADAPTER SxS
PVC SDR35 GASKET SEWER**

4"x 4" SxS

REFERENCE ONLY

FILE NAME:

G984.D02