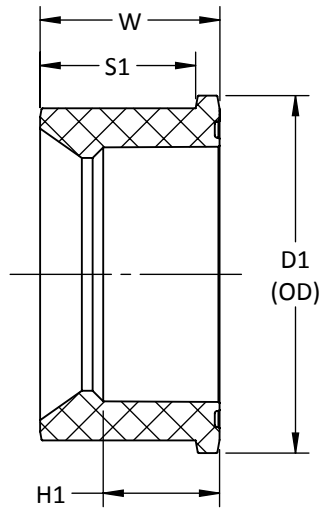


MOLDED



ASTM D2665, F1866, CSA B181.2 WHERE APPLICABLE

**FLUSH REDUCER BUSHING SxH
PVC SOLVENT WELD DWV**

PART NO.	SIZE IN INCHES	H1	S1	W	D1
* D12504-2	4 x 2	25/32	1 25/32	2	5 1/32
* D12504-3	4 x 3	1 17/32	1 25/32	2	5 1/32
* D12506-3	6 x 3	1 17/32	3 1/16	3 1/2	7 7/32
* D12506-4	6 x 4	1 25/32	3 1/16	3 1/2	7 7/32
* D12508-4	8 x 4	1 25/32	4 1/16	4 11/16	9 11/32
* D12508-6	8 x 6	3 1/16	4 1/16	4 11/16	9 11/32
* D12510-3	10 x 3	1 17/32	5 1/16	5 13/16	11 17/32
* D12510-4	10 x 4	1 25/32	5 1/16	5 13/16	11 17/32
* D12510-6	10 x 6	3 1/16	5 1/16	5 13/16	11 17/32
* D12510-8	10 x 8	4 1/16	5 1/16	5 13/16	11 17/32
* D12512-3	12 x 3	1 17/32	6 1/16	6 27/32	13 19/32
* D12512-4	12 x 4	1 25/32	6 1/16	6 27/32	13 19/32
* D12512-6	12 x 6	3 1/16	6 1/16	6 27/32	13 19/32
* D12512-8	12 x 8	4 1/16	6 1/16	6 27/32	13 19/32
* D12512-10	12 x 10	5 1/16	6 1/16	6 27/32	13 19/32

-- DIMENSIONS AND APPEARANCE ARE APPROXIMATE AND SUBJECT TO CHANGE
WITHOUT NOTICE DUE TO DESIGN OR PRODUCTION MODIFICATIONS
-- MOLDED FITTING TOLERANCE = ±1/8" OVERALL LENGTH
-- FABRICATED FITTING TOLERANCE = ±1" LINEAR, ± 2° ANGULAR

* MOLDED FITTING
† ASSEMBLED FROM MOLDED COMPONENTS
ALL OTHER FITTINGS ARE FABRICATED