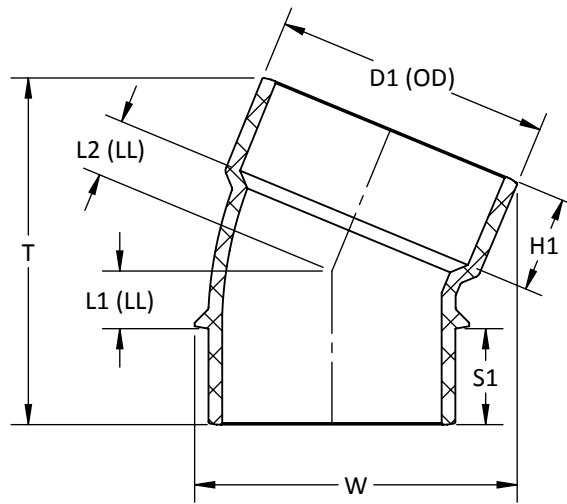


MOLDED



ASTM D2665, F1866, CSA B181.2 WHERE APPLICABLE

**1/16 BEND (22.5) SxH
PVC SOLVENT WELD DWV**

PART NO.	SIZE IN INCHES	L1	L2	S1	H1	T	W	D1
* D1714	4	1 1/16	1 1/16	1 25/32	1 25/32	6 5/16	5 29/32	5 1/32
* D1716	6	1 7/16	1 7/16	3 1/16	3 1/16	9 3/4	8 5/8	7 7/32
* D1718	8	1 9/16	1 9/16	4 1/16	4 1/16	12 7/16	11 3/32	9 11/32
* D17110	10	2 3/16	2 3/16	5 1/16	5 1/16	16	13 13/16	11 17/32
* D17112	12	2 13/32	2 13/32	6 1/16	6 1/16	18 23/32	16 9/32	13 19/32

-- DIMENSIONS AND APPEARANCE ARE APPROXIMATE AND SUBJECT TO CHANGE
WITHOUT NOTICE DUE TO DESIGN OR PRODUCTION MODIFICATIONS
-- MOLDED FITTING TOLERANCE = ±1/8" OVERALL LENGTH
-- FABRICATED FITTING TOLERANCE = ±1" LINEAR, ± 2° ANGULAR

* MOLDED FITTING
† ASSEMBLED FROM MOLDED COMPONENTS
ALL OTHER FITTINGS ARE FABRICATED