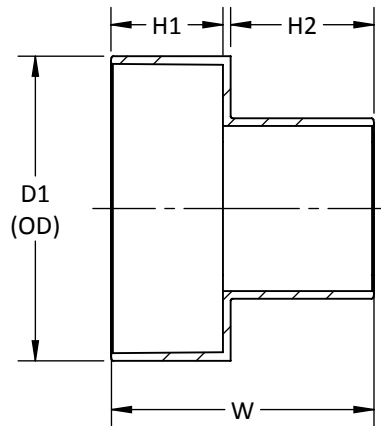
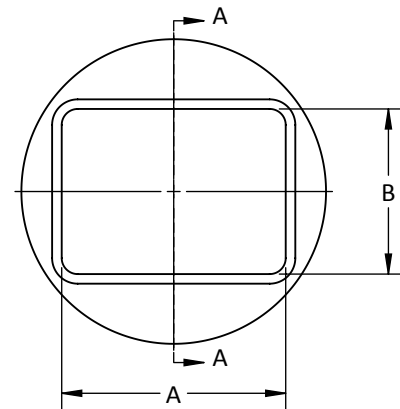


MOLDED



SECTION A-A



ASTM D3034, CSA B182.2
ASTM D2665, CSA B181.2
WHERE APPLICABLE

**DOWNSPOUT ADAPTER (H)
DOWNSPOUT x SOLVENT WELD DWV HUB**

| PART NO. | SIZE IN INCHES | H1 | H2 | W | D1 | A | B |
|----------|----------------|---------|--------|---------|---------|---------|---------|
| * D1904 | 2 x 3 x 4 | 1 25/32 | 2 7/32 | 4 1/8 | 4 25/32 | 3 1/2 | 2 19/32 |
| * D1905 | 3 x 4 x 3 | 1 17/32 | 2 9/32 | 3 29/32 | 3 31/32 | 4 15/32 | 3 1/2 |
| * D1906 | 3 x 4 x 4 | 1 25/32 | 2 7/32 | 4 1/8 | 4 25/32 | 4 15/32 | 3 1/2 |

-- DIMENSIONS AND APPEARANCE ARE APPROXIMATE AND SUBJECT TO CHANGE
WITHOUT NOTICE DUE TO DESIGN OR PRODUCTION MODIFICATIONS
-- MOLDED FITTING TOLERANCE = ±1/8" OVERALL LENGTH
-- FABRICATED FITTING TOLERANCE = ±1" LINEAR, ± 2° ANGULAR

* MOLDED FITTING
† ASSEMBLED FROM MOLDED COMPONENTS
ALL OTHER FITTINGS ARE FABRICATED