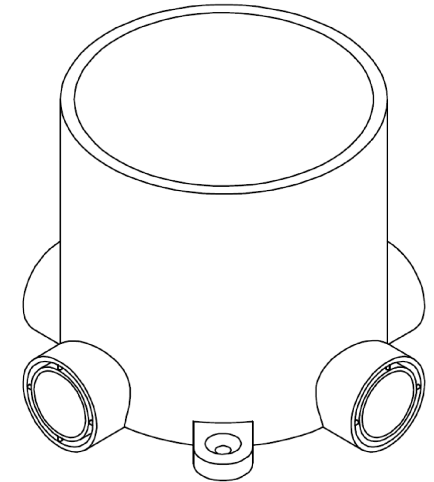
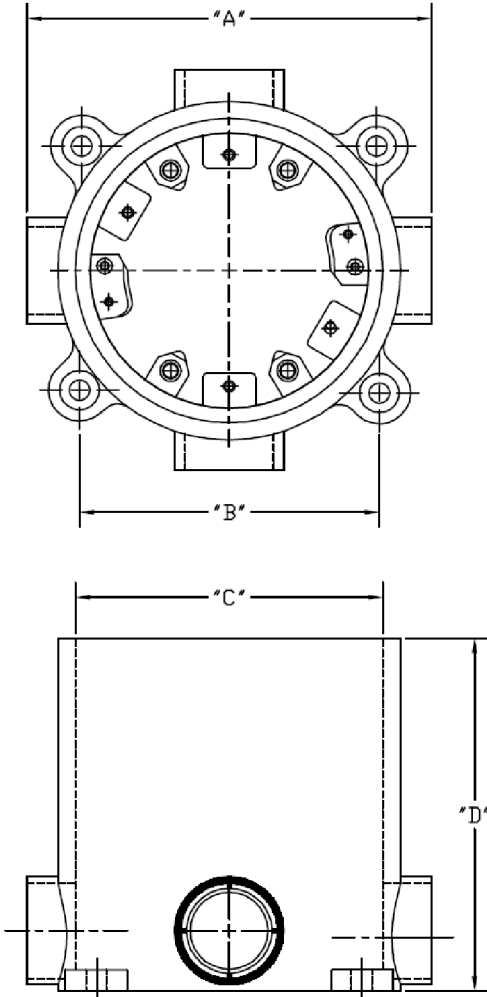


SIGNED DRAWINGS MUST ACCOMPANY PURCHASE ORDER OR DIMENSIONS OF FITTINGS WILL NOT BE GUARANTEED

SIZE	"A"	"B"	"C"	"D"
Floor Box Base 2-3/4" Hubs, 2-1" Hubs, 2-3/4" to 1/2" Reducers, 2-1" to 3/4" Reducers, Level Ring & Pour Cover. U.L. Listed	6 7/16"	3 9/16"	4 9/16"	6"



15.0 CU.IN.PER IN. OF DEPTH
 90 CU.IN.MAX.VOL.
 MINIMUM CONCRETE DEPTH 3"
 UL Listed
 UL File # E98429
 UL Category Code QCMZ7
 UL Control Number 39N9
 Box Material is Rigid PVC
 Bronze cover is polycarbonate
 See NEC Article 314 for use

DISCLAIMER - PLEASE READ

- DIMENSIONS AND APPEARANCE ARE APPROXIMATE AND SUBJECT TO CHANGE WITHOUT NOTICE DUE TO DESIGN OR PRODUCTION MODIFICATIONS
- ANGLE TOLERANCE FOR ELBOWS IS +/- 2 DEGREES.
- ALL OTHER DIMENSIONS ARE TO TOLERANCES OF +/- 1"
- ALL FITTINGS ARE SUBJECT TO RBP "STANDARD TERMS AND CONDITIONS"



REF: 5133758

ROYAL Building Products

royalbuildingproducts.com

56400 Mound Road, Shelby Township, MI 48316
 Phone (800)232-5690 -- Fax (586)781-0888

PRINTED COPIES ARE FOR REFERENCE ONLY

DATE: 5/6/2015 DRAWN BY: RKS

DATE: 5/6/2015 CHECKED BY: RBP

E068001.C

CUSTOMER

**1" DUPLEX FLOOR BOX/LEVEL RING/POUR COVER/REDUCER BUSHING
 PVC ELECTRICAL**

1"