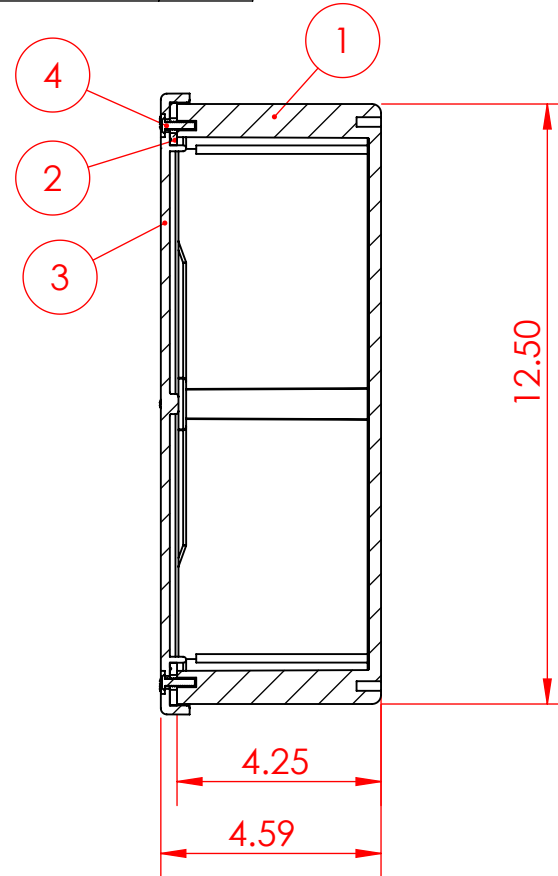
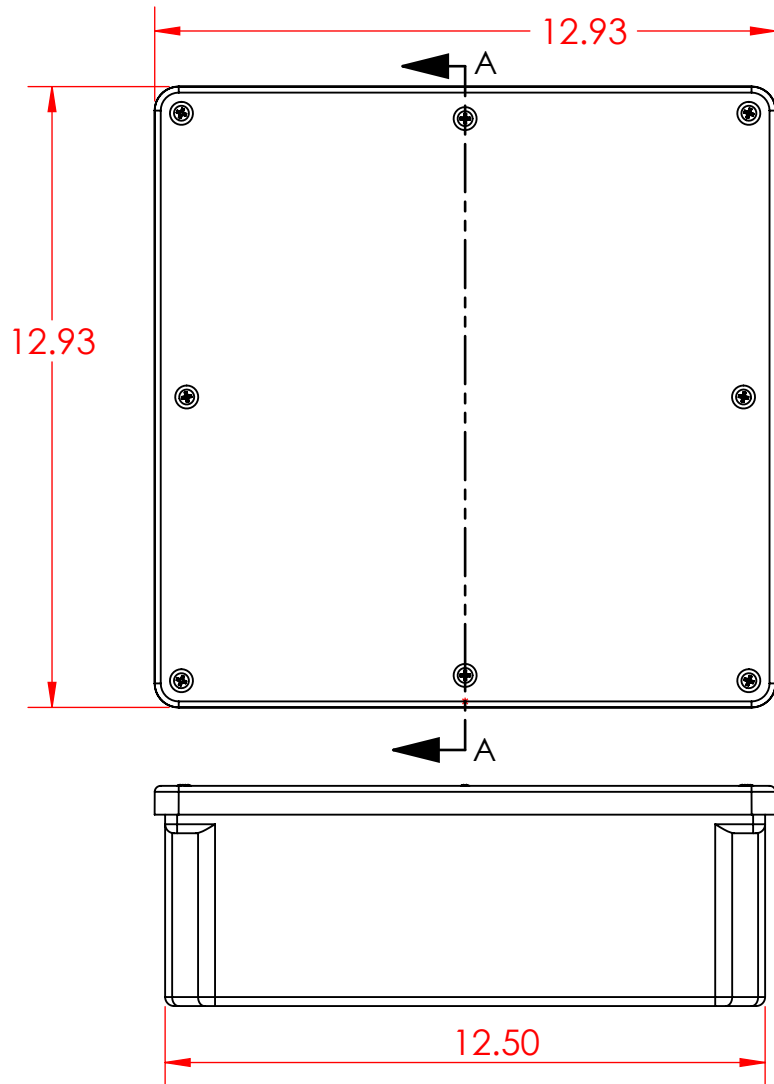
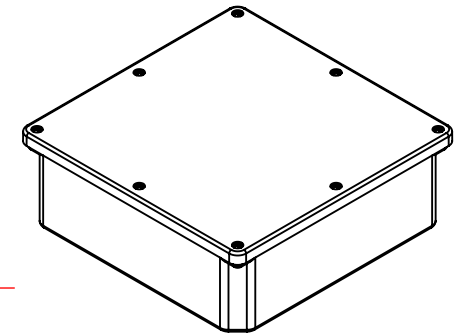


ITEM NO.	PART NUMBER	DESCRIPTION	QTY.
1	E05112124_BOX	12"X12"x4" JUNCTION BOX	1
2	E05112124_RUBBER_GASKET	12x12 RUBBER GASKET	1
3	E05112124_COVER	12x12 COVER	1
4	Screw J-Box	JUNCTION BOX SCREW	8



SECTION A-A

**12" JUNCTION BOX WITH GASKET  
RIGID PVC ELECTRICAL CONDUIT  
12"x12"x4" G**

**ROYAL** Building Products

56400 Mound Road, Shelby Township, MI 48316  
Phone (586)781-2700 Fax (586)781-0888

PRINTED COPIES ARE FOR REFERENCE ONLY

DATE: 12/17/2013 DRAWN BY: BCS

DATE: 12/17/2013 CHECKED BY: RBP

E05112124

CUSTOMER