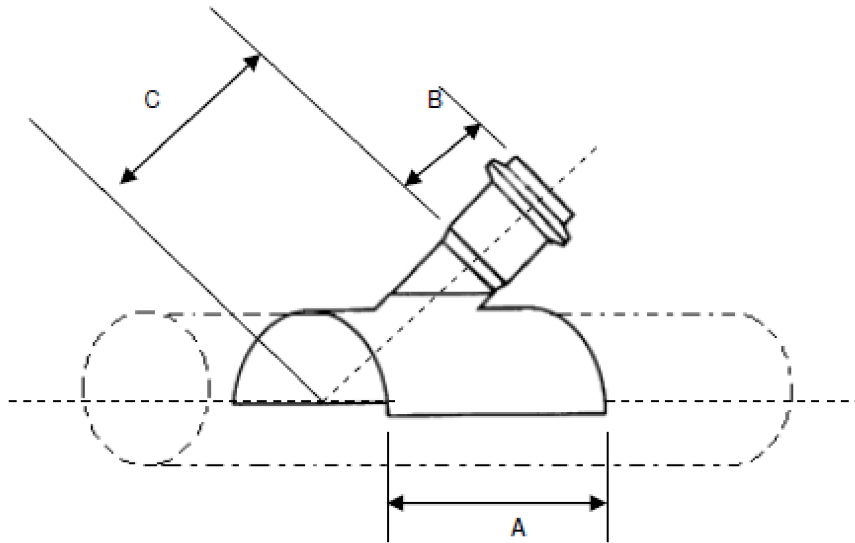


SIGNED DRAWINGS MUST ACCOMPANY PURCHASE ORDER OR DIMENSIONS OF FITTINGS WILL NOT BE GUARANTEED



SIZE	18X4	18X8	24X4	24X8
A	19	26	19	26
B	3.5	5	3.5	5
C	17	20	21.5	24.5

DISCLAIMER - PLEASE READ

- DIMENSIONS AND APPEARANCE ARE APPROXIMATE AND SUBJECT TO CHANGE WITHOUT NOTICE DUE TO DESIGN OR PRODUCTION MODIFICATIONS
- ANGLE TOLERANCE FOR ELBOWS IS +/- 2 DEGREES.
- ALL OTHER DIMENSIONS ARE TO TOLERANCES OF +/- 1"
- ALL FITTINGS ARE SUBJECT TO RBP "STANDARD TERMS AND CONDITIONS"

 **ROYAL**® Building Products

royalbuildingproducts.com

56400 Mound Road, Shelby Township, MI 48316
Phone (800)232-5690 -- Fax (586)781-0888

**18" SADDLE WYE - SDR35 GASKETED SEWER
EXTENDED SOLVENT SKIRT x GASKET INLET**

18" x 4" SWxG

PRINTED COPIES ARE FOR REFERENCE ONLY

DATE: 11/12/2014 DRAWN BY: AMV

DATE: 11/12/2014 CHECKED BY: RBP

L2318-4.S

CUSTOMER