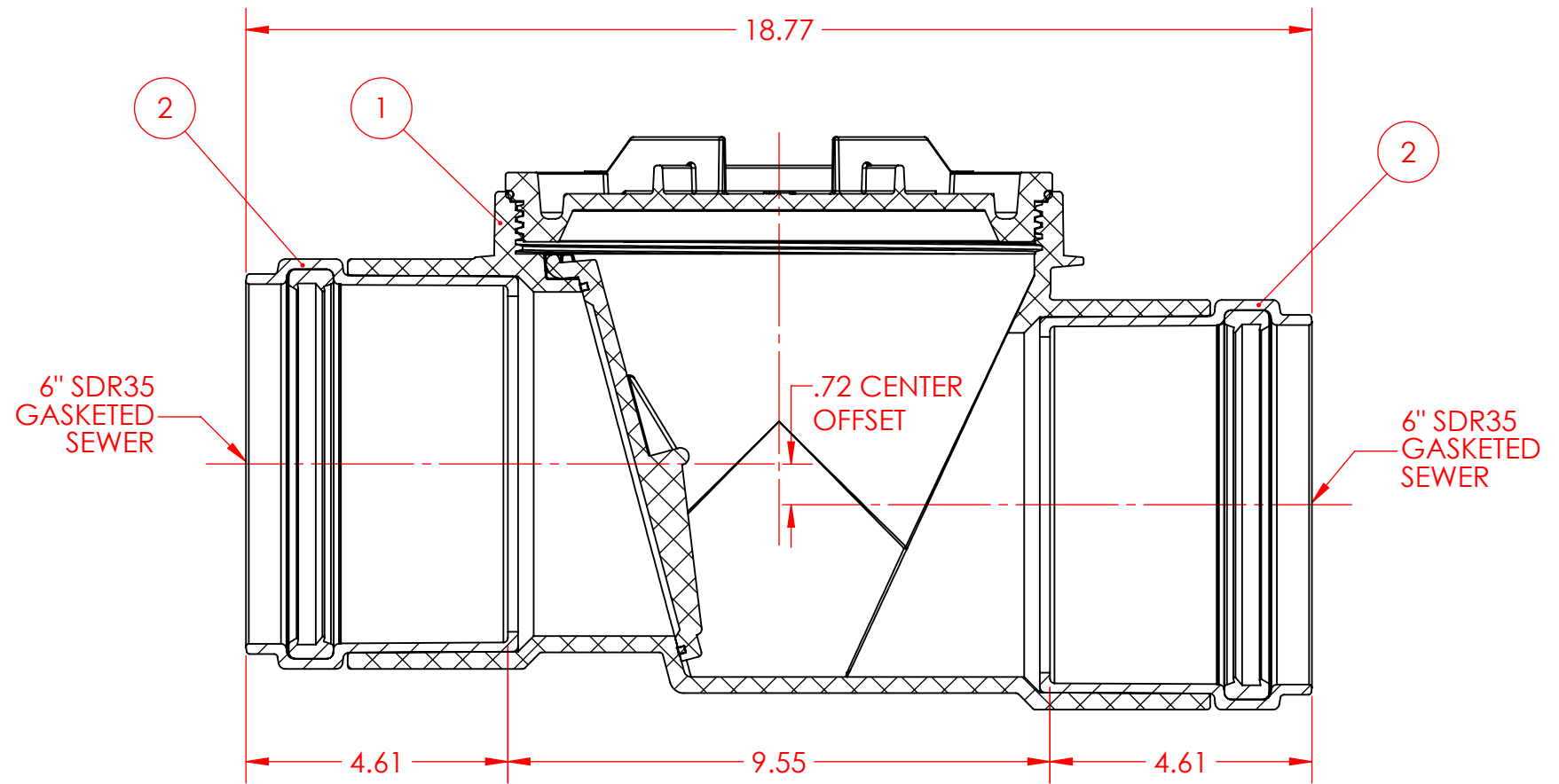
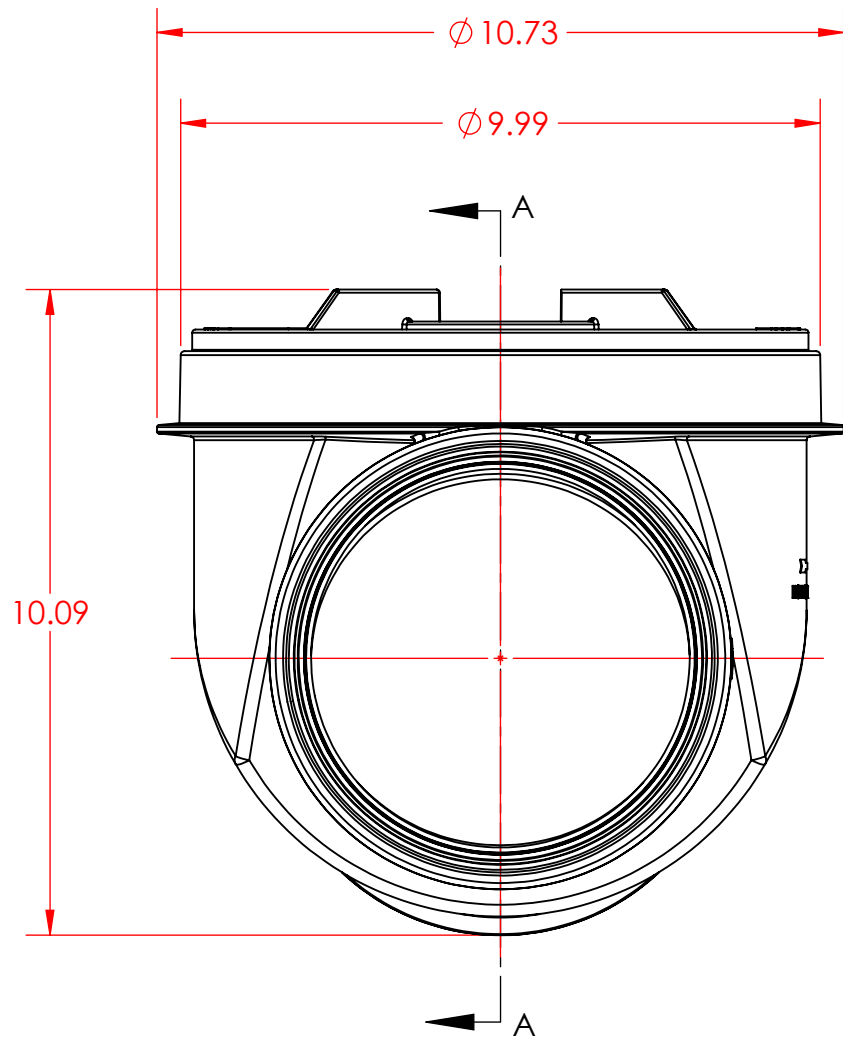
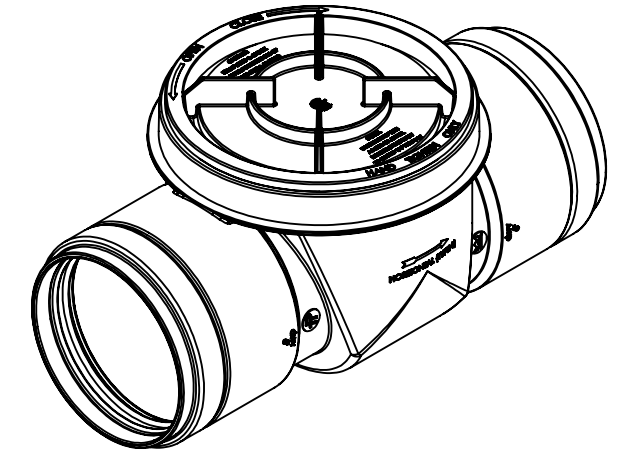


ITEM NO.	PART NUMBER	DESCRIPTION	QTY.
1	D0106.D01	6" INLINE BACKWATER VALVE ASSEMBLY	1
2	G1209.D01	6" DWV ADAPTER SLEEVE	2



SECTION A-A

Part Number	Product Line	Line Description	Color
D0106	DWV-US	DWV U.S.A.	White
DL0106	DL	Low Rise	Lt. Gray
DH0106	DH	High Rise	Dk. Gray

ROYAL Building Products

56400 Mound Road, Shelby Township, MI 48316
Phone (586)781-2700 Fax (586)781-0888

PRINTED COPIES ARE FOR REFERENCE ONLY

DATE: 2/26/2014 DRAWN BY: BCS

DATE: 2/26/2014 CHECKED BY: RBP

L0106.D01

6" INLINE BACKWATER VALVE ASSEMBLY
SDR35 GASKETED SEWER
6"x6" GxG

CUSTOMER