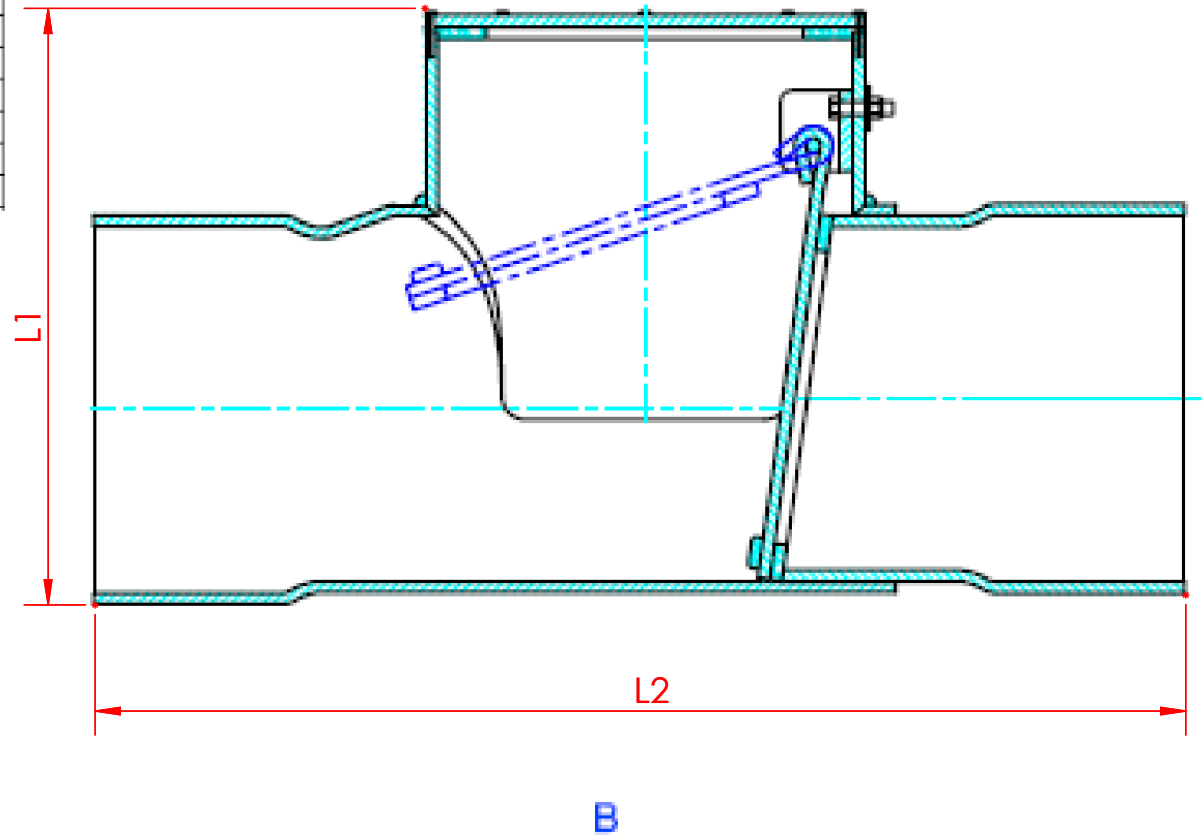


SIGNED DRAWINGS MUST ACCOMPANY PURCHASE ORDER OR DIMENSIONS OF FITTINGS WILL NOT BE GUARANTEED

SIZE	PART #	DIMENSIONS		DWG VERSION	WEIGHT (LBS)
		L1	L2		
4.000	79ABWV04				
6.000	79ABWV06				
8.000	79ABWV08	14.8	26.9	A	25.87
10.000	79ABWV10	17.5	32.3	A	40.48
12.000	79ABWV12	19.2	36.6	A	59.34
15.000	79ABWV15	20.1	45.9	B	108.53



DISCLAIMER - PLEASE READ

- DUE TO VARIOUS FACTORS AFFECTING PRODUCTION, ALL DIMENSIONS ARE APPROXIMATE
- DIMENSIONS AND APPEARANCE ARE SUBJECT TO CHANGE WITHOUT NOTICE DUE TO DESIGN OR PRODUCTION MONIFICATIONS
- ANGLE TOLERANCE FOR ELBOWS IS +/- 2 DEGREES.
- ALL OTHER DIMENSIONS ARE TO TOLERANCES OF +/- 1"
- ALL FITTINGS ARE SUBJECT TO P.T.I. "STANDARD TERMS AND CONDITIONS"

PLASTIC TRENDS .COM
ROYAL Building Products

56400 Mound Road, Shelby Township, MI 48316
 Phone (586)781-2700 Fax (586)781-0888

PRINTED COPIES ARE FOR REFERENCE ONLY

DATE: 7/29/2013 DRAWN BY: BCS

DATE: 7/29/2013 CHECKED BY: PTI

P0115.S

CUSTOMER

15" INLINE BACKWATER VALVE
SDR35 SOLVENT SEWER HUB x SOLVENT SEWER HUB
15"x15" HxH