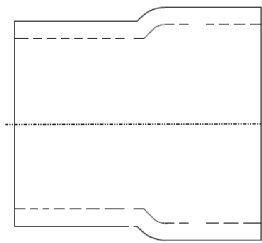
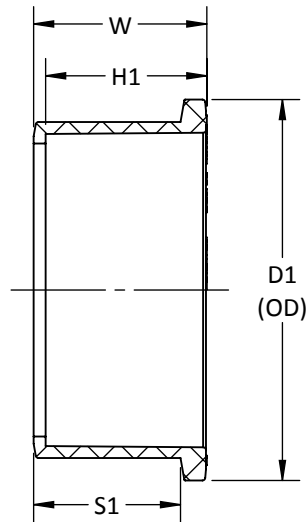


MOLDED



FABRICATED (APPEARANCE MAY VARY)



ASTM D2665, F1866, CSA B181.2
ASTM D3034, F1336, CSA B182.2
WHERE APPLICABLE

**DWV ADAPTER SLEEVE DWV SxH
SOLVENT WELD DWV SPIGOT x SDR 35 SOLVENT WELD SEWER HUB**

PART NO.	SIZE IN INCHES	H1	S1	W	D1
* P1207	3 x 3	1 11/16	1 17/32	1 13/16	3 31/32
* P1208	4 x 4	1 3/4	1 3/4	1 7/8	4 25/32
* P1209	6 x 6	3 1/32	3 1/32	3 7/32	7 1/32
P12008	8 x 8	4 1/4	4 1/4	9	9 5/32
P12010	10 x 10	5 3/8	5 3/8	12	11 17/32
P12012	12 x 12	6 3/8	6 3/8	14	13 19/32

-- DIMENSIONS AND APPEARANCE ARE APPROXIMATE AND SUBJECT TO CHANGE
WITHOUT NOTICE DUE TO DESIGN OR PRODUCTION MODIFICATIONS
-- MOLDED FITTING TOLERANCE = ±1/8" OVERALL LENGTH
-- FABRICATED FITTING TOLERANCE = ±1" LINEAR, ± 2° ANGULAR

* MOLDED FITTING
† ASSEMBLED FROM MOLDED COMPONENTS
ALL OTHER FITTINGS ARE FABRICATED