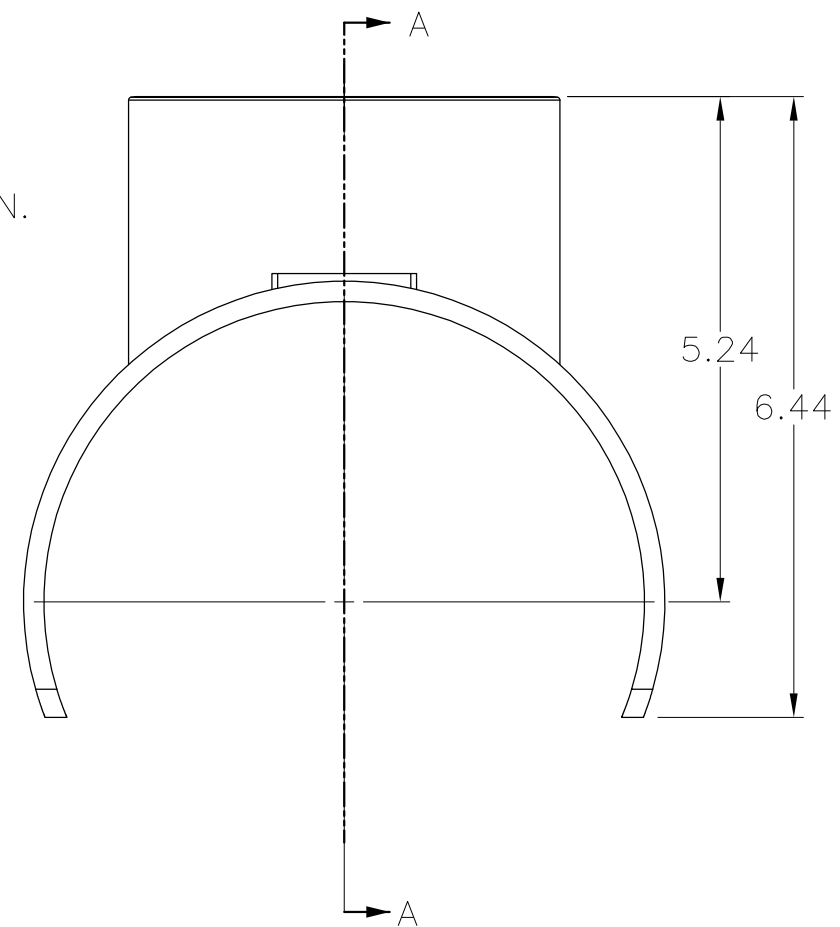


SECTION A-A



**SADDLE TEE S/W SDR-35**

6X4

**PLASTIC TRENDS**  
.COM

56400 Mound Road, Shelby Township, MI 48316  
 Phone (586) 781-2700 Fax (586) 781-0888

PRINTED COPIES ARE FOR REFERENCE ONLY  
 DATE 25NOV08 BY KBL

P2106-4.D01