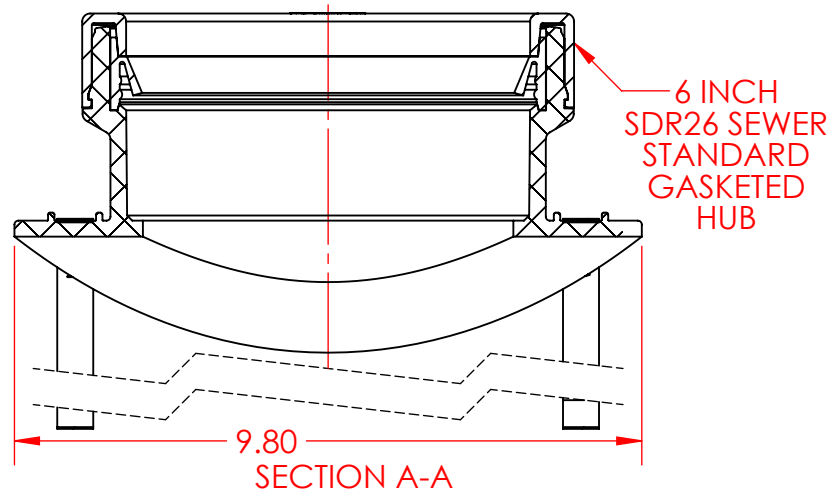
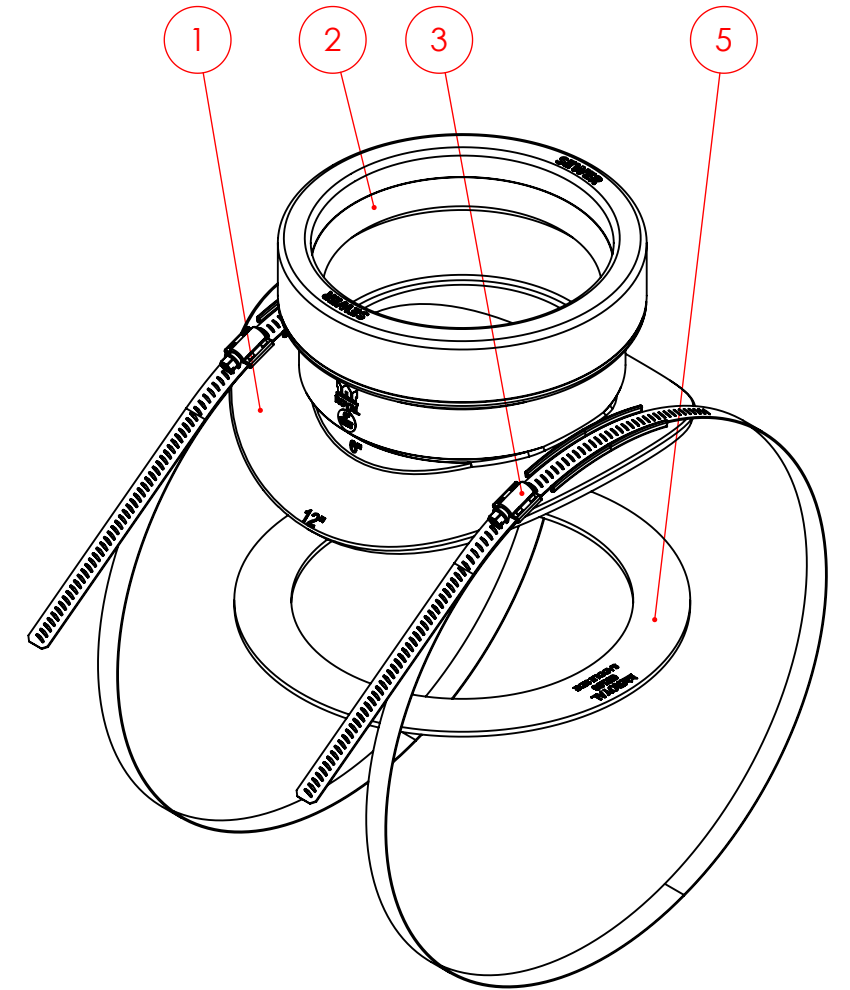
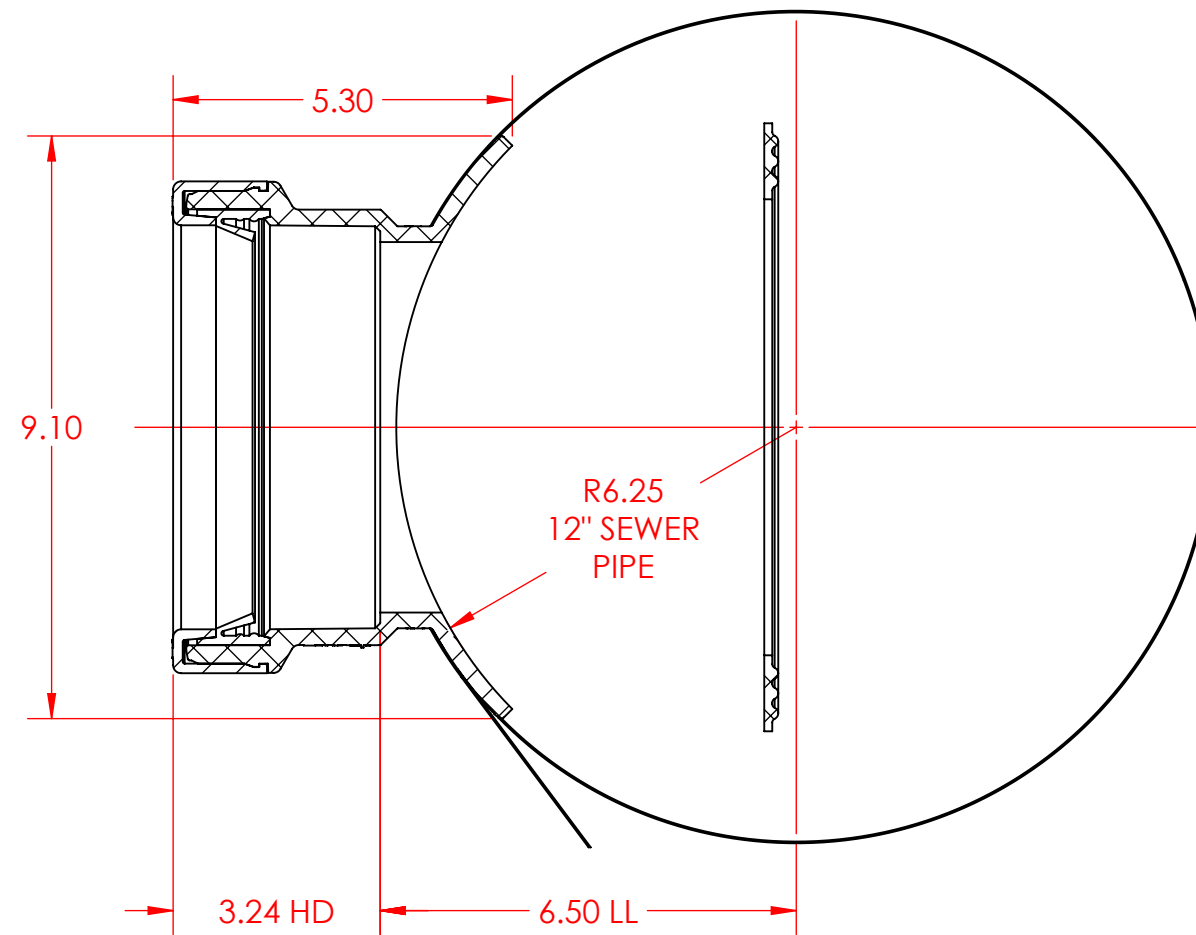
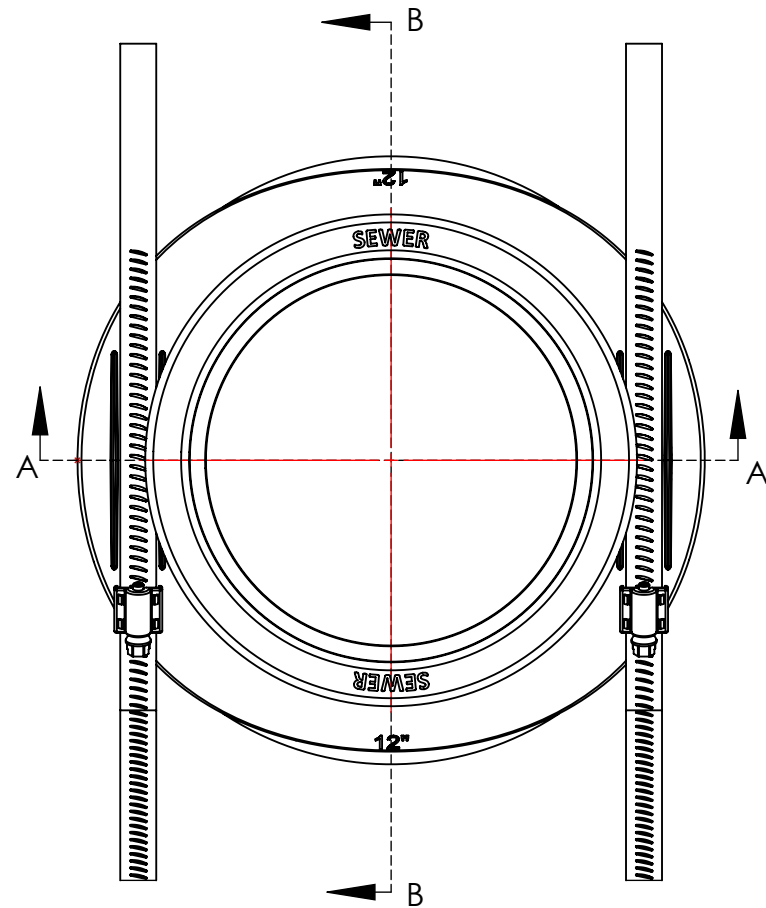


ITEM NO.	PART NUMBER	DESCRIPTION	MASTER/ QTY.
1	H2112-6RB.D02	12" SDR26 SEWER REHAB SADDLE TEE & SDR26 SEWER GASKETED HUB	1
2	GSK0626.D01	6" H-SERIES SDR26 SEWER GASKET	1
3	100-230-9.D01	BAND CLAMP SS 10-12	2
4	G5106.D01	GASKET FOR REHAB SADDLE TEE w/6" BRANCH	1
5	ARNG0626	RING LOCK DR26 GN 6INCH	1



MOLD #:
F0423 ASM

3D CAD DATA IS MASTER

ROYAL Building Products

56400 Mound Road, Shelby Township, MI 48316
Phone (586)781-2700 Fax (586)781-0888

PRINTED COPIES ARE FOR REFERENCE ONLY

DATE: 5/8/2013 DRAWN BY: RSS

DATE: 5/8/2013 CHECKED BY: PTI

12" SDR26 SEWER REHAB SADDLE TEE & SDR26 SEWER GASKETED HUB
SOLVENT WELD SKIRT w/o LOCATING RIB
12" SADDLE x 6" GSK HUB

H2112-6R.D02

CUSTOMER, MASTER H2112-6R.D02