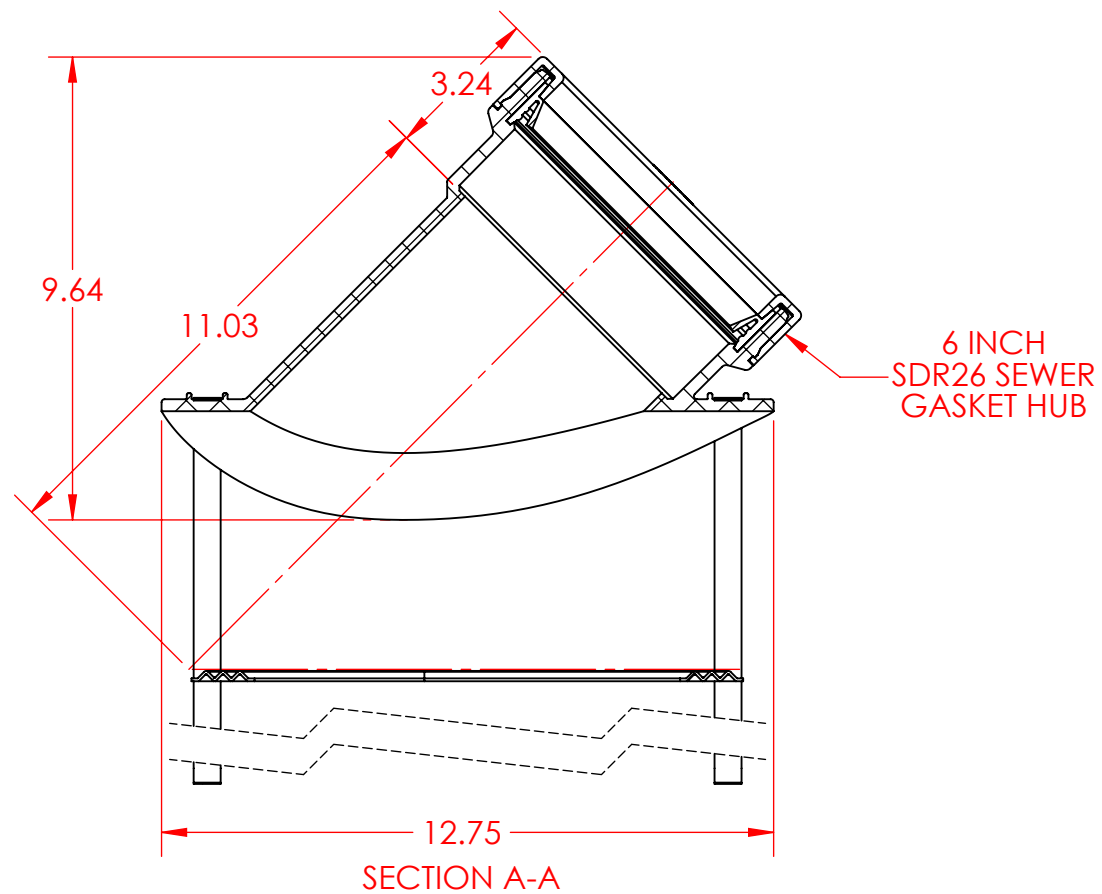
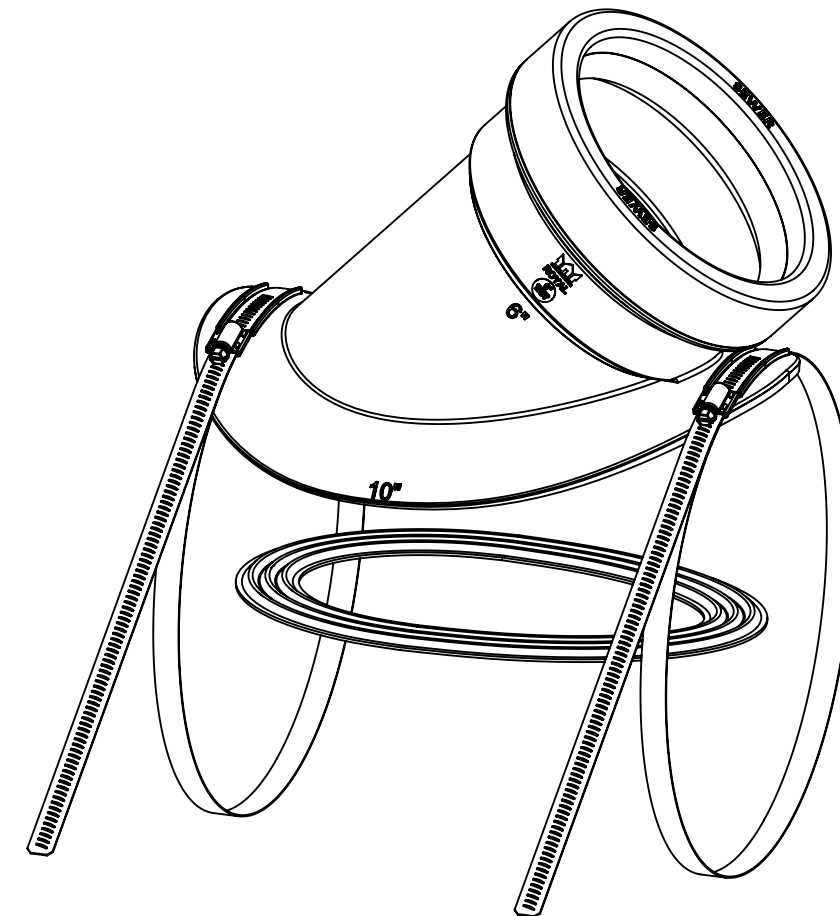


SECTION B-B



SECTION A-A

MOLD #:
F0428 ASM

REF:
CSA B182.1, B182.2
ASTM D3034, F1336

3D CAD DATA IS MASTER

ROYAL Building Products

56400 Mound Road, Shelby Township, MI 48316
Phone (586)781-2700 Fax (586)781-0888

PRINTED COPIES ARE FOR REFERENCE ONLY

DATE: 5/3/2013 DRAWN BY: RSS

DATE: 5/3/2013 CHECKED BY: PTI

H2310-6R.D02

10" SDR26 SEWER REHAB SADDLE WYE & SDR26 SEWER GASKETED HUB
SOLVENT WELD SKIRT w/o LOCATING RIB
10" SADDLE x 6" GSK HUB

CUSTOMER H2310-6R.D02