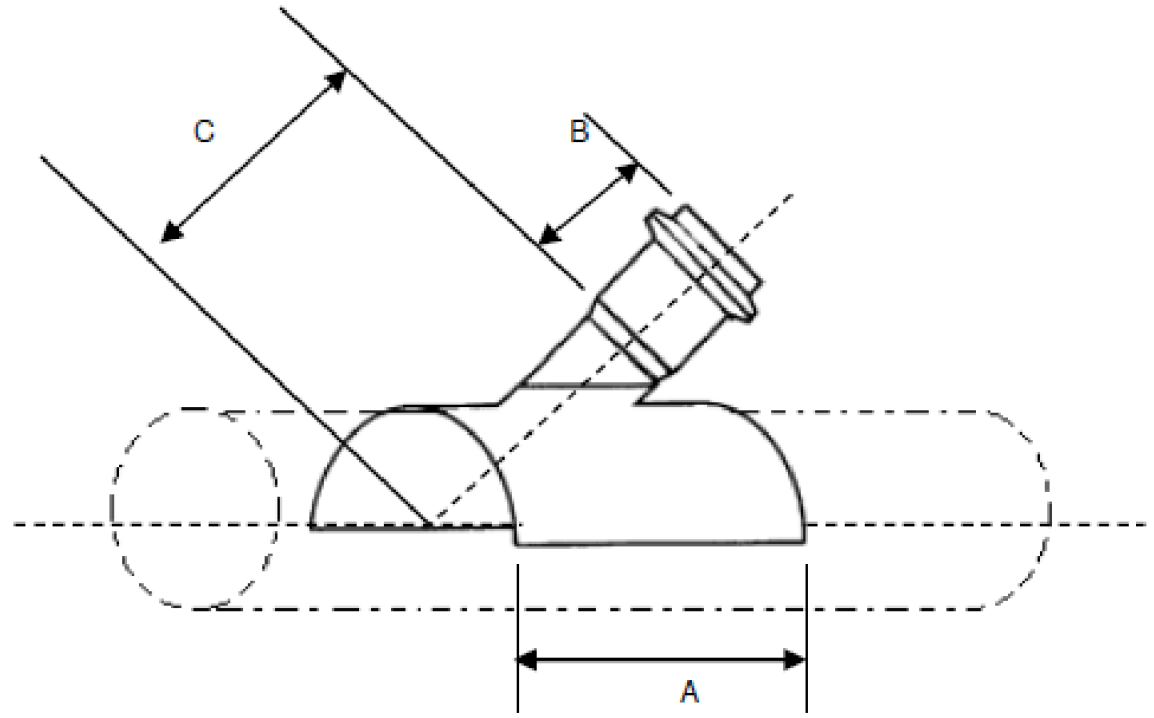


SIGNED DRAWINGS MUST ACCOMPANY PURCHASE ORDER OR DIMENSIONS OF FITTINGS WILL NOT BE GUARANTEED



| | |
|------|-------|
| SIZE | 12X8 |
| A | 26 |
| B | 5 |
| C | 15.75 |

DISCLAIMER - PLEASE READ

- DUE TO VARIOUS FACTORS AFFECTING PRODUCTION, ALL DIMENSIONS ARE APPROXIMATE
- DIMENSIONS AND APPEARANCE ARE SUBJECT TO CHANGE WITHOUT NOTICE DUE TO DESIGN OR PRODUCTION MONIFICATIONS
- ANGLE TOLERANCE FOR ELBOWS IS +/- 2 DEGREES.
- ALL OTHER DIMENSIONS ARE TO TOLERANCES OF +/- 1"
- ALL FITTINGS ARE SUBJECT TO P.T.I. "STANDARD TERMS AND CONDITIONS"

 **ROYAL** Building Products

56400 Mound Road, Shelby Township, MI 48316
Phone (586)781-2700 Fax (586)781-0888

12" SADDLE WYE
SDR35 SEWER EXT. SOLVENT SKIRT x GASKETED HUB
12"x8" SWxG

PRINTED COPIES ARE FOR REFERENCE ONLY

DATE: 9/12/2013 DRAWN BY: BCS

DATE: 9/12/2013 CHECKED BY: RBP

L2312-8

CUSTOMER